



KGS7536SX

EN	User Manual Hob	2
FR	Notice d'utilisation Table de cuisson	19
DE	Benutzerinformation Kochfeld	38
ES	Manual de instrucciones Placa de cocción	57



Welcome to Electrolux! Thank you for choosing our appliance.



Get usage advice, brochures, troubleshooting, service and repair information:
www.electrolux.com/support

Subject to change without notice.

CONTENTS

1. SAFETY INFORMATION.....	2
2. SAFETY INSTRUCTIONS.....	4
3. INSTALLATION.....	7
4. PRODUCT DESCRIPTION.....	11
5. DAILY USE.....	11
6. HINTS AND TIPS.....	13
7. CARE AND CLEANING.....	13
8. TROUBLESHOOTING.....	15
9. TECHNICAL DATA.....	16
10. ENERGY EFFICIENCY.....	18
11. ENVIRONMENTAL CONCERNS.....	18

1. ⚠ SAFETY INFORMATION

Before the installation and use of the appliance, carefully read the supplied instructions. The manufacturer is not responsible for any injuries or damage that are the result of incorrect installation or usage. Always keep the instructions in a safe and accessible location for future reference.

1.1 Children and vulnerable people safety

- This appliance can be used by children aged from 8 years and above and persons with reduced physical, sensory or mental capabilities or lack of experience and knowledge if they have been given supervision or instruction concerning the use of the appliance in a safe way and understand the hazards involved. Children of less than 8 years of age and persons with very extensive and complex disabilities shall be kept away from the appliance unless continuously supervised.

- Children should be supervised to ensure that they do not play with the appliance.
- Keep all packaging away from children and dispose of it appropriately.
- **WARNING:** The appliance and its accessible parts become hot during use. Keep children and pets away from the appliance when in use and when cooling down.
- If the appliance has a child safety device, it should be activated.
- Children shall not carry out cleaning and user maintenance of the appliance without supervision.

1.2 General Safety

- This appliance is for cooking purposes only.
- This appliance is designed for single household domestic use in an indoor environment.
- This appliance may be used in, offices, hotel guest rooms, bed & breakfast guest rooms, farm guest houses and other similar accommodation where such use does not exceed (average) domestic usage levels.
- **WARNING:** The appliance and its accessible parts become hot during use. Care should be taken to avoid touching heating elements.
- **WARNING:** Unattended cooking on a hob with fat or oil can be dangerous and may result in fire.
- Never use water to extinguish the cooking fire. Switch off the appliance and cover flames with e.g. a fire blanket or lid.
- **WARNING:** The appliance must not be supplied through an external switching device, such as a timer, or connected to a circuit that is regularly switched on and off by a utility.
- **CAUTION:** The cooking process has to be supervised. A short term cooking process has to be supervised continuously.
- **WARNING:** Danger of fire: Do not store items on the cooking surfaces.

- Metallic objects such as knives, forks, spoons and lids should not be placed on the hob surface since they can get hot.
- Do not use the appliance before installing it in the built-in structure.
- Do not use a steam cleaner to clean the appliance.
- If the supply cord is damaged, it must be replaced by the manufacturer, an authorized Service or similarly qualified persons in order to avoid a hazard.
- Where the appliance is directly connected to the power supply, an all-pole isolating switch with a contact gap is required. Complete disconnection in compliance with the conditions specified in overvoltage category III must be guaranteed. The earth cable is excluded from this.
- When you route the mains cable, make sure that the cable doesn't come into direct contact (for example using insulating sleeving) with parts that can reach temperatures of more than 50°C above room temperature.
- **WARNING:** Use only hob guards designed by the manufacturer of the cooking appliance or indicated by the manufacturer of the appliance in the instructions for use as suitable or hob guards incorporated in the appliance. The use of inappropriate guards can cause accidents.

2. SAFETY INSTRUCTIONS

This appliance is suitable for the following

markets: IT

2.1 Installation

 **WARNING!**

Only a qualified person must install this appliance.

 **WARNING!**

Risk of injury or damage to the appliance.

- Remove all the packaging.

- Do not install or use a damaged appliance.
- Follow the installation instructions supplied with the appliance.
- Keep the minimum distance from other appliances and units.
- Always take care when moving the appliance as it is heavy. Always use safety gloves and enclosed footwear.
- Seal the cut surfaces with a sealant to prevent moisture from causing swelling.
- Protect the bottom of the appliance from steam and moisture.
- Do not install the appliance next to a door or under a window. This prevents hot

cookware from falling from the appliance when the door or the window is opened.

- If the appliance is installed above drawers make sure that the space, between the bottom of the appliance and the upper drawer is sufficient for air circulation.
- The bottom of the appliance can get hot. Install a non-combustible separation panel under the appliance to prevent access to the bottom.

2.2 Electrical Connection

WARNING!

Risk of fire and electric shock.

- All electrical connections should be made by a qualified electrician.
- The appliance must be earthed.
- Before carrying out any operation make sure that the appliance is disconnected from the power supply.
- Make sure that the parameters on the rating plate are compatible with the electrical ratings of the mains power supply.
- Make sure the appliance is installed correctly. Loose and incorrect electricity mains cable or plug (if applicable) can make the terminal become too hot.
- Use the correct electricity mains cable.
- Do not let the electricity mains cable tangle.
- Make sure that a shock protection is installed.
- Use the strain relief clamp on the cable.
- Make sure the mains cable or plug (if applicable) does not touch the hot appliance or hot cookware, when you connect the appliance to a socket.
- Do not use multi-plug adapters and extension cables.
- Make sure not to cause damage to the mains plug (if applicable) or to the mains cable. Contact our Authorised Service Centre or an electrician to change a damaged mains cable.
- The shock protection of live and insulated parts must be fastened in such a way that it cannot be removed without tools.
- Connect the mains plug to the mains socket only at the end of the installation.

Make sure that there is access to the mains plug after the installation.

- If the mains socket is loose, do not connect the mains plug.
- Do not pull the mains cable to disconnect the appliance. Always pull the mains plug.
- Use only correct isolation devices: line protecting cut-outs, fuses (screw type fuses removed from the holder), earth leakage trips and contactors.
- The electrical installation must have an isolation device which lets you disconnect the appliance from the mains at all poles. The isolation device must have a contact opening width of minimum 3 mm.

2.3 Gas connection

CAUTION!

When using a gas cylinder, always keep it on a flat horizontal surface (with the gas valve on top).

- All gas connections must be made by a qualified person.
- Before installation, make sure that the local distribution conditions (nature of the gas and gas pressure) and the adjustment of the appliance are compatible.
- Make sure that there is air circulation around the appliance.
- The information about the gas supply is on the rating plate.
- This appliance is not connected to a device, which evacuates the products of combustion. Make sure to connect the appliance according to current installation regulations. Follow the requirements for adequate ventilation.

2.4 Use

WARNING!

Risk of injury, burns and electric shock.

 **CAUTION!**

The use of a gas cooking appliance results in the production of heat, moisture and products of combustion in the room in which it is installed. Ensure that the kitchen is well ventilated especially when the appliance is in use.

Prolonged intensive use of the appliance may require additional ventilation, for example the increasing of mechanical ventilation where present, additional ventilation to safely remove the products of combustion to outside (external) air whilst also providing room air changes with additional ventilation. Consult a qualified person before installation of the additional ventilation.

- Do not change the specification of this appliance.
- Remove all the packaging, labelling and protective film (if applicable) before first use.
- Make sure that the ventilation openings are not blocked.
- Do not let the appliance stay unattended during operation.
- Set the cooking zone to “off” after each use.
- Do not put cutlery or saucepan lids on the cooking zones. They can become hot.
- Do not operate the appliance with wet hands or when it has contact with water.
- Do not use the appliance as a work surface or as a storage surface.
- When you place food into hot oil, it may splash.

 **WARNING!**

Risk of fire and explosion

- Fats and oil when heated can release flammable vapours. Keep flames or heated objects away from fats and oils when you cook with them.
- The vapours that very hot oil releases can cause spontaneous combustion.
- Used oil, that can contain food remnants, can cause fire at a lower temperature than oil used for the first time.
- Do not put flammable products or items that are wet with flammable products in, near or on the appliance.

 **WARNING!**

Risk of damage to the appliance.

- Do not keep hot cookware on the control panel.
- Do not let cookware boil dry.
- Be careful not to let objects or cookware fall on the appliance. The surface can be damaged.
- Never leave a burner on with empty cookware or without cookware.
- Do not put aluminium foil on the appliance.
- Use only stable cookware with the correct shape and diameter larger than the dimensions of the burners.
- Make sure cookware is centrally positioned on the burners.
- Do not use large cookware that overlap the edges of the appliance. This can cause damage to the worktop surface.
- Make sure the flame does not go out when you quickly turn the knob from the maximum to the minimum position.
- Use only the accessories supplied with the appliance.
- Do not install a flame diffuser on the burner.
- Do not let acid liquids, for example vinegar, lemon juice or limescale remover, touch the hob. This can cause matt patches.
- Discoloration of the enamel or stainless steel has no effect on the performance of the appliance.

2.5 Care and cleaning

 **WARNING!**

Do not remove the buttons, knobs or gaskets from the control panel. Water may get inside the appliance and cause damage.

- Clean the appliance regularly to prevent the deterioration of the surface material.
- Switch off the appliance and let it cool down before cleaning.
- Do not use water spray and steam to clean the appliance.
- Clean the appliance with a moist soft cloth. Use only neutral detergents. Do not

use abrasive products, abrasive cleaning pads, solvents or metal objects.

- Do not clean the burners in the dishwasher.

2.6 Service

- To repair the appliance contact the Authorised Service Centre. Use original spare parts only.

2.7 Disposal

WARNING!

Risk of injury or suffocation.

- Contact your municipal authority for information on how to dispose of the appliance.
- Disconnect the appliance from the mains supply.
- Cut off the mains electrical cable close to the appliance and dispose of it.
- Flat the external gas pipes.

3. INSTALLATION

WARNING!

Refer to Safety chapters.

3.1 Before the installation

Before you install the hob, write down the information below from the rating plate. The rating plate is on the bottom of the hob.

Model
PNC
Serial number

3.2 Gas Connection

WARNING!

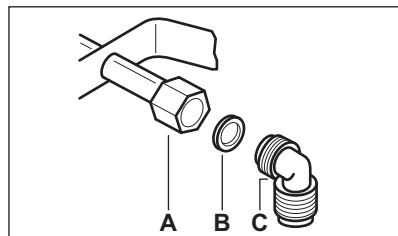
The following instructions about installation, maintenance and ventilation must be carried out by qualified personnel in compliance with the regulation in force (UNI-CIG 7129 - 7131). Make sure that the kitchen is well ventilated: keep natural ventilation holes open (at least 100 cm²) or install a mechanical extractor hood.

Choose fixed connections or use a flexible pipe in stainless steel in compliance with the regulation in force. If you use flexible metallic pipes, be careful they do not come in touch with mobile parts or they are not squeezed. Also be careful when the hob is put together with an oven.

i

Make sure that the gas supply pressure of the appliance obeys the recommended values.

If the supplied pressure has not the specified value, it is necessary to assemble a proper pressure regulator in compliance with the standard UNI EN 88. For Liquid Gas (LPG) the use of pressure regulator is allowed only if they are in compliance with UNI EN 12864. The adjustable connection is fixed to the comprehensive ramp by means of a threaded nut G 1/2". Screw the parts without force, adjust the connection in the necessary direction and tighten everything.



- A.** End of shaft with nut
- B.** Washer supplied with the appliance
- C.** Elbow supplied with the appliance

Rigid connection:

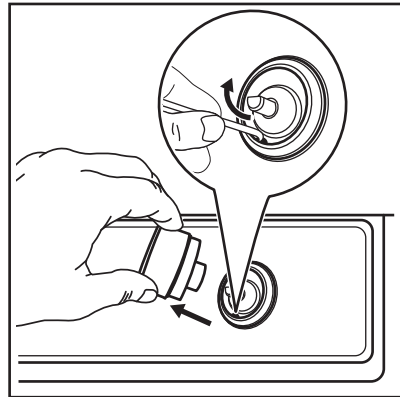
Carry out connection by using metal rigid pipes (copper with mechanical end) (UNI-CIG 7129).

Flexible connection:

Use a flexible pipe in stainless steel (UNI-CIG 9891) with a maximum length 2 m.

WARNING!

When installation is complete, make sure that the seal of each pipe fitting is correct. Use a soapy solution, not a flame!



WARNING!

Pay attention not to damage the gasket. Do not use sharp tool to remove it.

3.3 Injectors replacement

1. Remove the pan supports.
2. Remove the caps and crowns of the burner.
3. With a socket spanner 7 remove the injectors and replace them with the ones which are necessary for the type of gas you use (see table in "Technical Data" chapter).
4. Assemble the parts, follow the same procedure backwards.
5. Replace the rating plate (it is near the gas supply pipe) with the one for the new type of gas supply. You can find this plate in the package supplied with the appliance.

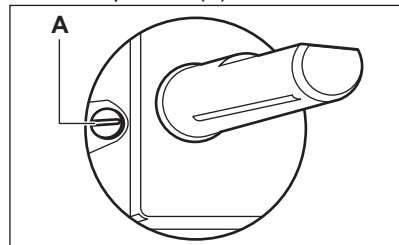
If the supply gas pressure is changeable or different from the necessary pressure, you must fit an applicable pressure adjuster on the gas supply pipe.

3.4 Adjustment of minimum level

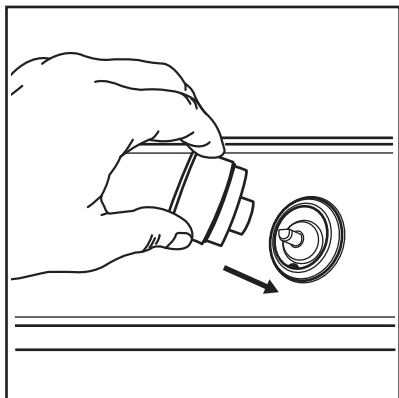
To adjust the minimum level of the burners:

1. Light the burner.
2. Turn the knob on the minimum position.
3. Remove the knob and the gasket.

4. With a thin screwdriver, adjust the bypass screw position (A).



5. If you change:
 - from natural gas G20 20 mbar / G20Y20 20 mbar to liquid gas, fully tighten the bypass screw in.
 - from liquid gas to natural gas G20 20 mbar / G20Y20 20 mbar, undo the bypass screw approximately 1/4 of a turn (1/2 of a turn for Multi Crown burner).
6. Reassemble the gasket and the knob.



⚠ WARNING!

Make sure to place the gasket exactly in the original position.

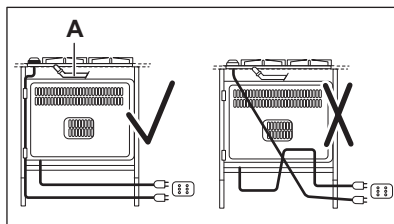
⚠ WARNING!

Make sure the flame does not go out when you quickly turn the knob from the maximum position to the minimum position.

3.5 Electrical connection

- Make sure that the rated voltage and type of power on the rating plate agree with the voltage and the power of the local power supply.
- This appliance is supplied with a mains cable. It has to be supplied with a correct plug which can hold the load that the rating plate rates. Make sure that you install the plug in a correct socket.
- Always use a correctly installed shockproof socket.
- Make sure that there is an access to the mains plug after the installation.
- Do not pull the mains cable to disconnect the appliance. Always pull the mains plug.
- There is a risk of fire when the appliance is in connection with an extension cable, an adapter or a multiple connection. Make sure that the ground connection agrees with the standards and regulations.
- Do not let the power cable to heat up to a temperature higher than 90° C.

To prevent contact between the cable and the appliance below the hob use the clamps which are on the side of the cabinet.

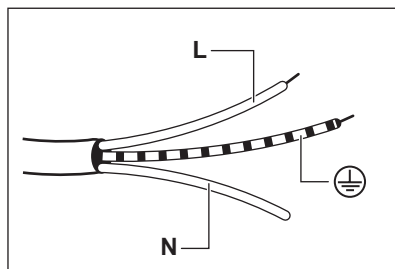


A. Rigid copper pipe or flexible pipe of stainless steel

3.6 Connection cable

To replace the connection cable use only the special cable or its equivalent. The cable type is: H03V2V2-F T90.

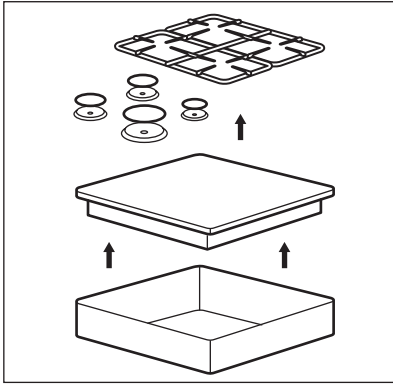
Make sure that the cable section is applicable to the voltage and the working temperature. The yellow / green earth wire must be approximately 2 cm longer than the brown (or black) phase wire.



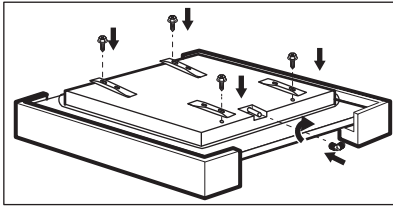
1. Connect the green and yellow (earth) wire to the terminal which is marked with the letter 'E', or the earth symbol \oplus , or coloured green and yellow.
2. Connect the blue (neutral) wire to the terminal which is marked with the letter 'N' or coloured blue.
3. Connect the brown (live) wire to the terminal which is marked with the letter 'L'. It must always be connected to the network phase.

3.7 Assembly

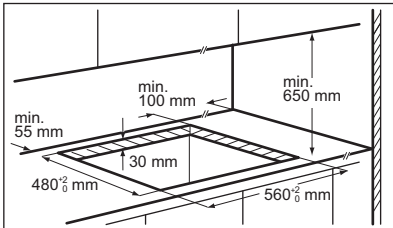
1.



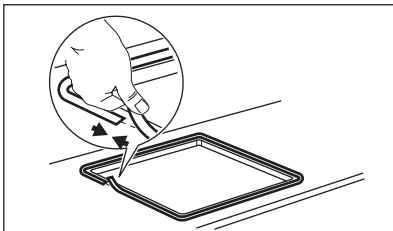
2.



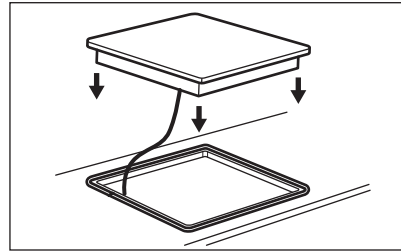
3.



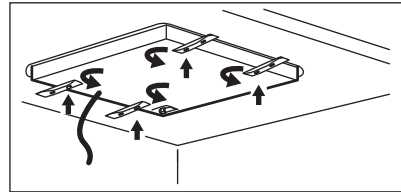
4.



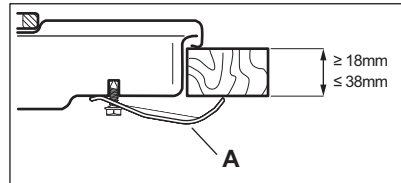
5.



6.

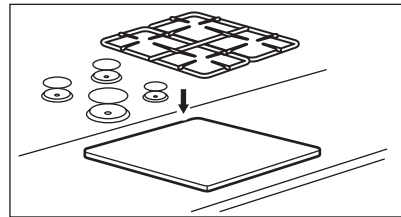


7.



A) supplied bracket

8.



⚠ CAUTION!

Install the appliance only on a worktop with flat surface.

3.8 Installing hob under the hood

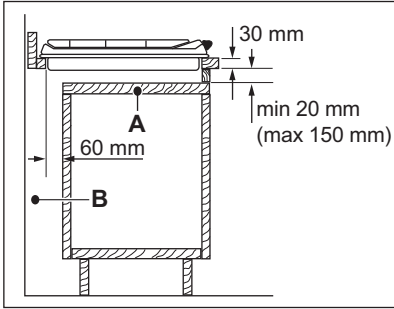
i

If you install the hob under a hood, please see the installation instructions of the hood for the minimum distance between the appliances.

3.9 Possibilities for insertion

The panel installed below the hob must be easy to remove and let an easy access in case a technical assistance intervention is necessary.

Kitchen unit with door



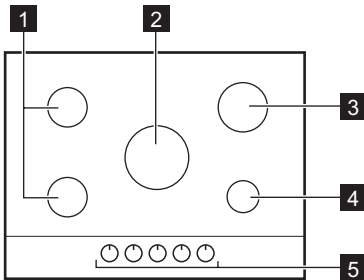
- A. Removable panel
- B. Space for connections

Kitchen unit with oven

The electrical connection of the hob and the oven must be installed separately for safety reasons and to let easy remove oven from the unit.

4. PRODUCT DESCRIPTION

4.1 Cooking surface layout



- 1 Semi-rapid burner
- 2 Multi Crown burner
- 3 Rapid burner

- 4 Auxiliary burner
- 5 Control knobs

4.2 Control knob

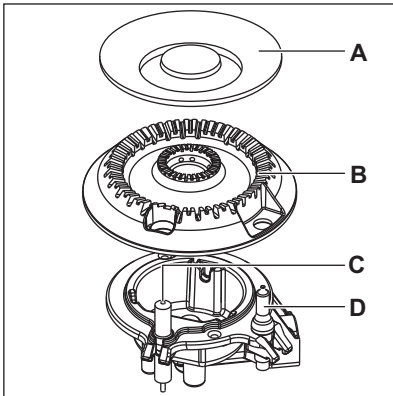
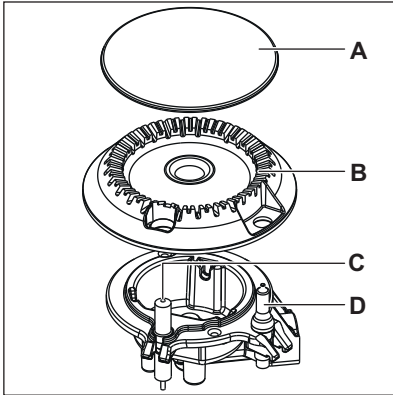
Symbol	Description
●	no gas supply / off position
☆ 	ignition position / maximum gas supply
 	minimum gas supply

5. DAILY USE

⚠ WARNING!

Refer to Safety chapters.

5.1 Burner overview



- A. Burner cap
- B. Burner crown
- C. Ignition candle
- D. Thermocouple

5.2 Ignition of the burner



Always light the burner before you put on the cookware.

WARNING!

Be very careful when you use open fire in the kitchen environment. The manufacturer declines any responsibility in case of the flame misuse.

1. Push the control knob down and turn it counterclockwise to the maximum gas supply position (Ⓐ).
2. Keep the control knob pushed for equal or less than 10 seconds. This lets the thermocouple warm up. If not, the gas supply is interrupted.
3. Adjust the flame after it is regular.



If after some tries the burner does not light, check if the crown and its cap are in correct positions.

WARNING!

Do not keep the control knob pushed for more than 15 seconds. If the burner does not light after 15 seconds, release the control knob, turn it into off position and try to light the burner again after minimum 1 minute.

CAUTION!

In the absence of electricity you can ignite the burner without electrical device; in this case approach the burner with a flame, turn the control knob counterclockwise to maximum gas supply position and push it down. Keep the control knob pushed for equal or less than 10 seconds to let the thermocouple warm up.



If the burner accidentally goes out, turn the control knob to the off position and try to light the burner again after minimum 1 minute.



The spark generator can start automatically when you switch on the mains, after installation or a power cut. It is normal.



The hob is supplied with the progressive valves. They make the flame regulation more precise.

5.3 Turning the burner off

To put the flame out, turn the knob to the off position ●.

WARNING!

Always turn the flame down or switch it off before you remove the pans from the burner.

6. HINTS AND TIPS

WARNING!

Refer to Safety chapters.

6.1 Cookware

CAUTION!

Do not use cast iron pans, clay or earthenware pots, grill or toaster plates. The stainless steel can become tarnished if it is too much heated.

WARNING!

Do not put the same pan on two burners.

WARNING!

Do not put unstable or damaged pots on the burner to prevent spills and injuries.

CAUTION!

Make sure that the bottoms of pots do not stand too close to the control knob, otherwise the flame heats the control knob up.

CAUTION!

Make sure that pot handles are not above the front edge of the cooktop.

CAUTION!

Make sure that the pots are placed centrally on the burner in order to get the maximum stability and a lower gas consumption.

6.2 Diameters of cookware



Use cookware with diameters applicable to the size of burners.

Burner	Diameter of cookware (mm)
Multi Crown	180 - 260
Rapid	180 - 260
Semi-rapid	120 - 240
Auxiliary	80 - 180

7. CARE AND CLEANING

WARNING!

Refer to Safety chapters.

7.1 General information

- Clean the hob after each use.
- Always use cookware with a clean base.
- Scratches or dark stains on the surface have no effect on how the hob operates.
- Use a special cleaner suitable for the surface of the hob.

Stainless steel

- Wash stainless steel parts with water, and then dry them with a soft cloth.
- To remove burnt food, fat and stubborn stains let them soak in a small amount of mild detergent for a few minutes before cleaning.
- Use cleaning products designed specifically for cleaning stainless steel in order to protect the steel surfaces.
- Do not use cleaning products containing corrosive chemicals such as chlorides, do not clean the surface with disinfectants,

stain or rust removers and immersion cleaners.

7.2 Pan supports



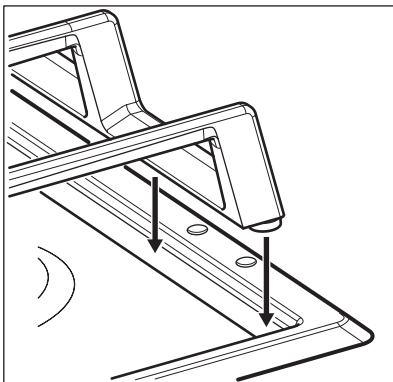
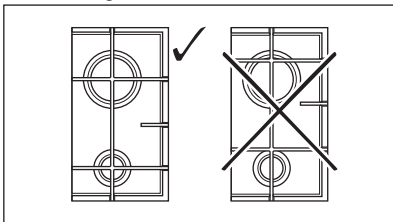
The pan supports are not resistant to washing in a dishwasher. They must be washed by hand.

1. Remove the pan supports to easily clean the hob.



Be very careful when you replace the pan supports to prevent the hob top from damage.

2. The enamel coating occasionally can have rough edges, so be careful when you wash the pan supports by hand and dry them. If necessary, remove stubborn stains with a paste cleaner.
3. After you clean the pan supports, make sure that they are in correct positions.
4. For the burner to operate correctly, make sure that the arms of the pan supports are aligned with the centre of the burner.



7.3 Cleaning the hob

- **Remove immediately:** melted plastic, plastic foil, sugar and food with sugar, otherwise, the dirt can cause damage to the hob. Take care to avoid burns.
- **Remove when the hob is sufficiently cool:** limescale rings, water rings, fat stains, shiny metallic discoloration. Clean the hob with a moist cloth and a non-abrasive detergent. After cleaning, wipe the hob dry with a soft cloth.
- To clean the enamelled parts, caps and crowns, wash them with warm soapy water and dry them carefully before you put them back on.

7.4 Cleaning the spark plug

This feature is obtained through a ceramic ignition candle with a metal electrode. Keep these components well clean to prevent difficult lighting and check that the burner crown holes are not obstructed.

7.5 Periodic maintenance

Speak to your local Authorised Service Centre periodically to check the conditions of the gas supply pipe and the pressure adjuster, if fitted.

8. TROUBLESHOOTING

WARNING!

Refer to Safety chapters.

8.1 What to do if...

Problem	Possible cause	Remedy
There is no spark when you try to activate the spark generator.	The hob is not connected to an electrical supply or it is connected incorrectly.	Check if the hob is correctly connected to the electrical supply.
	The fuse is blown.	Make sure that the fuse is the cause of the malfunction. If the fuse is blown again and again, contact a qualified electrician.
The flame extinguishes immediately after ignition.	Burner cap and crown are placed incorrectly.	Place the burner cap and crown correctly.
	Thermocouple is not heated up sufficiently.	After lighting the flame, keep the knob pushed for equal or less than 10 seconds.
The flame ring is uneven.	Burner crown is blocked with food residues.	Make sure that the injector is not blocked and the burner crown is clean.

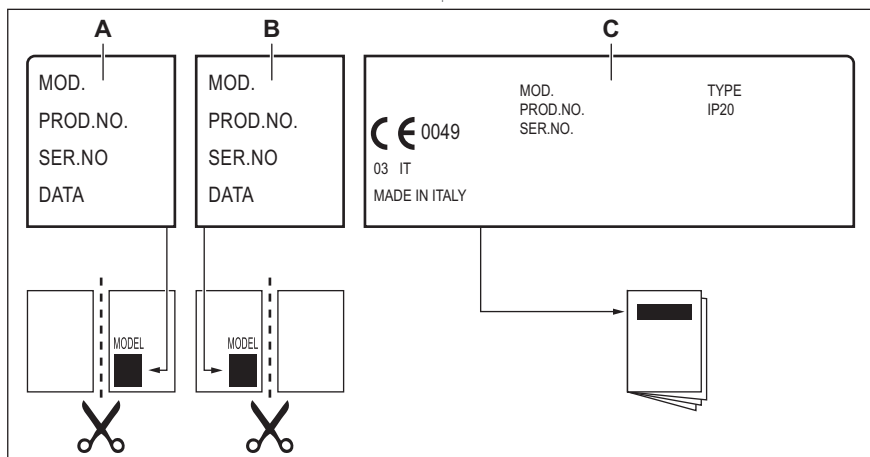
8.2 If you cannot find a solution...

If you cannot find a solution to the problem yourself, contact your dealer or an Authorised Service Centre. Give the data from the rating plate. Make sure, you operated the hob correctly. If not the servicing by a service

technician or dealer will not be free of charge, also during the warranty period. The instructions about the Service Centre and conditions of guarantee are in the guarantee booklet.

8.3 Labels supplied with the accessories bag

Stick the adhesive labels as indicated below:



- A. Stick it on Guarantee Card and send this part (if applicable).
- B. Stick it on Guarantee Card and keep this part (if applicable).
- C. Stick it on instruction booklet.

9. TECHNICAL DATA

9.1 Hob dimensions

Width	744 mm
Depth	510 mm

9.2 Bypass diameters

BURNER	Ø BYPASS 1/100 mm
Multi Crown	57
Rapid	52
Semi-rapid	35
Auxiliary	28

9.3 Other technical data

TOTAL POWER:	Gas original:	G20 (2H) 20 mbar G20Y20 (2HY20) 20 mbar	11,65 kW 11,15 kW
	Gas replacement:	G30 (3+) 28-30 mbar G31 (3+) 37 mbar	825 g/h 811 g/h
Electric supply:	220-240 V ~ 50-60 Hz		
Appliance category:	II2HY203+		
Gas connection:	G 1/2"		
Appliance class:	3		

9.4 Gas burners for NATURAL GAS G20 20 mbar

BURNER	NORMAL POWER kW	MINIMUM POWER kW	INJECTOR MARK
Multi Crown	4,0	1,4	146
Rapid	2,95	0,75	119°
Semi-rapid	1,85	0,6	92
Auxiliary	1,0	0,33	70

9.5 Gas burners for NATURAL GAS G20Y20 20 mbar

BURNER	NORMAL POWER kW	MINIMUM POWER kW	INJECTOR MARK
Multi Crown	3,7	1,4	146
Rapid	2,95	0,75	119°
Semi-rapid	1,75	0,6	92
Auxiliary	1,0	0,33	70

9.6 Gas burners for LPG G30/G31 28-30/37 mbar

BURNER	NORMAL POWER kW	MINIMUM POWER kW	INJECTOR MARK	NOMINAL GAS FLOW g/h	
				G30 28-30 mbar	G31 37 mbar
Multi Crown	3,55	1,4	095	258	254
Rapid	2,8	0,95	86	204	200
Semi-rapid	2,0	0,6	71	145	143
Auxiliary	1,0	0,33	50	73	71

10. ENERGY EFFICIENCY

10.1 Product Information according to EU Ecodesign regulation

Model identification	KGS7536SX	
Type of hob	Built-in hob	
Number of gas burners	5	
Energy efficiency per gas burner (EE gas burner)	Left rear - Semi-rapid	60.5%
	Right rear - Rapid	57.8%
	Centre middle - Multi crown	53.0%
	Left front - Semi-rapid	60.7%
	Right front - Auxiliary	not applicable
Energy efficiency for the gas hob (EE gas hob)	58.0%	

EN 30-2-1: Domestic cooking appliances burning gas - Part 2-1 : Rational use of energy - General

10.2 Energy saving



- Before use, make sure that the burners and pan supports are assembled correctly.
- Use cookware with diameters applicable to the size of burners.
- Center the pot on the burner.
- When you heat up water, use only the amount you need.

- If it is possible, always put the lids on the cookware.
- When the liquid starts to boil, turn down the flame to barely simmer the liquid.
- If it is possible, use a pressure cooker. Refer to its user manual.

10.3 Product Information for power consumption and maximum time to reach applicable low power mode

Power consumption in off mode	0.3 W
Maximum time needed for the equipment to automatically reach the applicable low power mode	2 min

11. ENVIRONMENTAL CONCERNS

Recycle materials with the symbol . Put the packaging in relevant containers to recycle it. Help protect the environment and human health by recycling waste of electrical and electronic appliances. Do not dispose of appliances marked with the symbol  with

the household waste. Return the product to your local recycling facility or contact your municipal office.

Electrolux Appliances AB - Contact Address:
Al. Powstancow Slaskich 26, 30-570 Krakow,
Poland

Bienvenue chez Electrolux ! Nous vous remercions d'avoir choisi l'un de nos appareils.



Obtenir des conseils d'utilisation, des brochures, des dépannages, des informations sur le service et les réparations :
www.electrolux.com/support

Sous réserve de modifications.

TABLE DES MATIÈRES

1. INFORMATIONS DE SÉCURITÉ.....	19
2. CONSIGNES DE SÉCURITÉ.....	22
3. INSTALLATION.....	25
4. DESCRIPTION DE L'APPAREIL.....	29
5. UTILISATION QUOTIDIENNE.....	29
6. CONSEILS.....	30
7. ENTRETIEN ET NETTOYAGE.....	31
8. DÉPANNAGE.....	33
9. CARACTÉRISTIQUES TECHNIQUES.....	34
10. RENDEMENT ÉNERGÉTIQUE.....	36
11. EN MATIÈRE DE PROTECTION DE L'ENVIRONNEMENT.....	37

1. ⚠ INFORMATIONS DE SÉCURITÉ

Avant d'installer et d'utiliser cet appareil, lisez soigneusement les instructions fournies. Le fabricant ne pourra être tenu pour responsable des blessures et dégâts résultant d'une mauvaise installation ou utilisation. Conservez toujours les instructions dans un lieu sûr et accessible pour vous y référer ultérieurement.

1.1 Sécurité des enfants et des personnes vulnérables

- Cet appareil peut être utilisé par des enfants âgés d'au moins 8 ans et par des personnes ayant des capacités physiques, sensorielles ou mentales réduites ou dénuées d'expérience ou de connaissance, s'ils sont correctement surveillés ou si des instructions relatives à l'utilisation de l'appareil en toute sécurité leur ont été données et s'ils comprennent les risques encourus. Les enfants de moins

de 8 ans et les personnes ayant un handicap très important et complexe doivent être tenus à l'écart de l'appareil, à moins d'être surveillés en permanence.

- Veillez à ce que les enfants ne jouent pas avec l'appareil.
- Ne laissez pas les emballages à la portée des enfants et jetez-les convenablement.
- **AVERTISSEMENT** : L'appareil et ses parties accessibles deviennent chauds pendant l'utilisation. Tenez les enfants et les animaux éloignés de l'appareil lorsqu'il est en cours d'utilisation et de refroidissement.
- Si l'appareil est équipé d'un dispositif de sécurité enfants, nous vous recommandons de l'activer.
- Le nettoyage et l'entretien par l'utilisateur ne doivent pas être effectués par des enfants sans surveillance.

1.2 Sécurité générale

- Cet appareil est exclusivement destiné à un usage culinaire.
- Cet appareil est conçu pour un usage domestique unique, dans un environnement intérieur.
- Cet appareil peut être utilisé dans les bureaux, les chambres d'hôtel, les chambres d'hôtes, les maisons d'hôtes de ferme et d'autres hébergements similaires lorsque cette utilisation ne dépasse pas le niveau (moyen) de l'utilisation domestique.
- **AVERTISSEMENT** : L'appareil et ses parties accessibles deviennent chauds pendant l'utilisation. Veillez à ne pas toucher les éléments chauffants.
- **AVERTISSEMENT** : Il peut être dangereux de laisser chauffer de la graisse ou de l'huile sans surveillance sur une table de cuisson car cela pourrait provoquer un incendie.
- N'utilisez jamais d'eau pour éteindre le feu de cuisson. Éteignez l'appareil et couvrez les flammes, par exemple avec une couverture ignifuge ou un couvercle.

- **AVERTISSEMENT** : L'appareil ne doit pas être branché à l'alimentation en utilisant un appareil de connexion externe comme un minuteur, ou branché à un circuit qui est régulièrement activé/désactivé par un fournisseur d'énergie.
- **ATTENTION** : Toute cuisson doit être surveillée. Une cuisson courte doit être surveillée en permanence.
- **AVERTISSEMENT** : Risque d'incendie : N'entreposez rien sur les surfaces de cuisson.
- Les objets métalliques tels que les couteaux, les fourchettes, les cuillères et les couvercles ne doivent pas être placés sur la surface de la table de cuisson car ils peuvent devenir chauds.
- N'utilisez pas l'appareil avant de l'avoir installé dans la structure encastrée.
- N'utilisez pas de nettoyeur à vapeur pour nettoyer l'appareil.
- Si le câble d'alimentation est endommagé, il doit être remplacé par le fabricant, un service après-vente agréé ou un professionnel qualifié afin d'éviter tout danger.
- Si l'appareil est directement branché à l'alimentation électrique, installez un sectionneur avec une ouverture de contact. La déconnexion complète conforme aux conditions de surtension de catégorie III doit être garantie. Le câble de terre en est exclu.
- Lorsque vous acheminez le câble d'alimentation, assurez-vous qu'il n'entre pas en contact direct (par ex. en utilisant une gaine isolante) avec des parties pouvant atteindre des températures supérieures de 50 °C à la température ambiante.
- **AVERTISSEMENT** : Utilisez uniquement les dispositifs de protection pour table de cuisson conçus ou indiqués comme adaptés par le fabricant de l'appareil de cuisson dans les instructions d'utilisation, ou les dispositifs de protection pour table de cuisson intégrés à l'appareil. L'utilisation de dispositifs de protection non adaptés peut entraîner des accidents.

2. CONSIGNES DE SÉCURITÉ

Cet appareil est adapté aux marchés

suivants: 

2.1 Installation

AVERTISSEMENT!

L'appareil doit être installé uniquement par un professionnel qualifié.

AVERTISSEMENT!

Risque de blessure corporelle ou de dommages matériels.

- Retirez l'intégralité de l'emballage.
- N'installez pas et ne branchez pas un appareil endommagé.
- Suivez scrupuleusement les instructions d'installation fournies avec l'appareil.
- Respectez l'espacement minimal requis par rapport aux autres appareils et éléments.
- Soyez toujours vigilants lorsque vous déplacez l'appareil car il est lourd. Utilisez toujours des gants de sécurité et des chaussures fermées.
- Isolez les surfaces découpées à l'aide d'un matériau d'étanchéité pour éviter que la moisissure cause des gonflements.
- Protégez la partie inférieure de l'appareil de la vapeur et de l'humidité.
- N'installez pas l'appareil à proximité d'une porte ou sous une fenêtre. Les récipients chauds risqueraient de tomber de l'appareil lors de l'ouverture de celles-ci.
- Si l'appareil est installé au-dessus de tiroirs, assurez-vous qu'il y a suffisamment d'espace entre le fond de l'appareil et le tiroir supérieur pour que l'air puisse circuler.
- Le dessous de l'appareil peut devenir très chaud. Installez un panneau de séparation ignifuge sous l'appareil pour en bloquer l'accès.

2.2 Branchement électrique

AVERTISSEMENT!

Risque d'incendie ou d'électrocution.

- Tous les raccordements électriques doivent être effectués par un électricien qualifié
- L'appareil doit être relié à la terre.
- Avant toute intervention, assurez-vous que l'appareil est débranché.
- Assurez-vous que les paramètres figurant sur la plaque signalétique correspondent aux données électriques nominale de l'alimentation secteur.
- Vérifiez que l'appareil est correctement installé. Des câbles ou des fiches secteur desserrés et incorrects (le cas échéant) peuvent faire surchauffer la borne.
- Utilisez le câble d'alimentation électrique approprié.
- Ne laissez pas le câble d'alimentation électrique s'emmêler.
- Assurez-vous qu'une protection contre les chocs est installée.
- Installez le collier anti-traction sur le câble.
- Assurez-vous que le câble d'alimentation ou la fiche (si présente) n'entrent pas en contact avec les surfaces brûlantes de l'appareil ou les récipients brûlants lorsque vous branchez l'appareil à une prise électrique.
- N'utilisez pas d'adaptateurs multiprise et de rallonges.
- Veillez à ne pas endommager la fiche secteur (le cas échéant) ni le câble d'alimentation. Contactez notre service après-vente agréé ou un électricien pour remplacer le câble d'alimentation s'il est endommagé.
- La protection contre les chocs des parties sous tension et isolées doit être fixée de telle manière qu'elle ne puisse pas être enlevée sans outils.
- Ne branchez la fiche secteur dans la prise secteur qu'à la fin de l'installation. Assurez-vous que la prise secteur est accessible après l'installation.
- Si la prise secteur est détachée, ne branchez pas la fiche secteur.

- Ne tirez pas sur le câble secteur pour débrancher l'appareil. Tirez toujours sur la fiche de la prise secteur.
- N'utilisez que des systèmes d'isolation appropriés : des coupe-circuits, des fusibles (les fusibles à visser doivent être retirés du support), un disjoncteur différentiel et des contacteurs.
- L'installation électrique doit comporter un dispositif d'isolation qui vous permet de déconnecter l'appareil du secteur à tous les pôles. Le dispositif d'isolement doit avoir une largeur d'ouverture de contact de 3 mm minimum.

2.3 Raccordement au gaz

ATTENTION!

Lorsque vous utilisez une bouteille de gaz, maintenez-la toujours sur une surface horizontale plane (avec la vanne de gaz en haut).

- Tous les raccordements au gaz doivent être effectués par une personne qualifiée.
- Avant l'installation, vérifiez que les conditions de distribution locales (nature et pression du gaz) sont compatibles avec le réglage de l'appareil.
- Assurez-vous que l'air circule autour de l'appareil.
- Les informations concernant l'alimentation en gaz se trouvent sur la plaque signalétique.
- Cet appareil n'est pas raccordé à un dispositif d'évacuation des produits de combustion. Assurez-vous de brancher l'appareil selon les réglementations d'installation en vigueur. Respectez les recommandations pour assurer une bonne ventilation.

2.4 Utilisation

AVERTISSEMENT!

Risque de blessures, de brûlures ou d'électrocution.

ATTENTION!

L'utilisation d'un appareil de cuisson au gaz entraîne la production de chaleur, d'humidité et de produits de combustion dans la pièce où il est installé. Assurez-vous que la cuisine est bien ventilée, en particulier lorsque l'appareil est en cours d'utilisation.

L'utilisation intensive et prolongée de l'appareil peut nécessiter une ventilation supplémentaire, par exemple l'augmentation de la ventilation mécanique, le cas échéant, une ventilation supplémentaire pour éliminer en toute sécurité les produits de combustion vers l'air extérieur (dehors) tout en fournissant des changements d'air ambiant avec une ventilation supplémentaire. Consultez une personne qualifiée avant d'installer la ventilation supplémentaire.

- Ne modifiez pas les spécifications de cet appareil.
- Retirez les emballages, les étiquettes et les films de protection (le cas échéant) avant la première utilisation.
- Assurez-vous que les orifices d'aération ne sont pas obstrués.
- Ne laissez pas l'appareil sans surveillance durant son fonctionnement.
- Éteignez les zones de cuisson après chaque utilisation.
- Ne posez pas de couverts ou de couvercles de casseroles sur les zones de cuisson. Ils peuvent devenir très chauds.
- N'utilisez pas l'appareil avec des mains mouillées ou en contact avec de l'eau.
- N'utilisez pas l'appareil comme plan de travail ou comme espace de rangement.
- Lorsque vous placez des aliments dans de l'huile chaude, cela peut éclabousser.

AVERTISSEMENT!

Risque d'incendie et d'explosion.

- Les graisses et les huiles lorsqu'elles sont chauffées peuvent dégager des vapeurs inflammables. Tenez les flammes ou les objets chauds à distance des graisses et des huiles pendant que vous cuisinez.

- Les vapeurs que dégagent l'huile très chaude peuvent provoquer une combustion spontanée.
- Une huile déjà utilisée peut contenir des restes d'aliments et provoquer un incendie à une température plus basse qu'avec une huile neuve.
- Ne placez pas de produits inflammables ou d'éléments imbibés de produits inflammables à l'intérieur, à proximité ou au-dessus de l'appareil.

⚠ AVERTISSEMENT!

Risque d'endommagement de l'appareil.

- Ne laissez pas de récipients chauds sur le bandeau de commande.
- Ne laissez pas le contenu des récipients s'évaporer entièrement.
- Prenez soin de ne pas laisser tomber d'objets ou de récipients sur l'appareil. La surface risque d'être endommagée.
- Ne laissez jamais un récipient vide posé sur un brûleur allumé, ou un brûleur allumé sans récipient.
- Ne placez pas de feuilles d'aluminium sur l'appareil.
- N'utilisez que des récipients stables, dont la forme et le diamètre sont supérieurs aux dimensions des brûleurs.
- Veillez à ce que les ustensiles de cuisine soient positionnés au centre des brûleurs.
- N'utilisez pas de grands récipients dont les bords dépassent de l'appareil. Vous risqueriez d'endommager la surface du plan de travail.
- Assurez-vous que la flamme ne s'éteint pas lorsque vous tournez rapidement la manette de la position maximale à la position minimale.
- N'utilisez que les accessoires fournis avec l'appareil.
- N'installez pas de diffuseur de flamme sur le brûleur.
- Ne laissez pas de liquides acides, tels que du vinaigre, du jus de citron ou du produit détartrant, entrer en contact avec la plaque de cuisson. Cela peut provoquer des taches mates.

- La décoloration de l'émail ou de l'acier inoxydable est sans effet sur les performances de l'appareil.

2.5 Entretien et Nettoyage

⚠ AVERTISSEMENT!

Ne retirez pas les touches, manettes et joints du bandeau de commande. De l'eau pourrait s'infiltrer dans l'appareil et l'endommager.

- Nettoyez régulièrement l'appareil afin de maintenir le revêtement en bon état.
- Mettez à l'arrêt l'appareil et laissez-le refroidir avant de le nettoyer.
- Ne pulvérisez pas d'eau ni de vapeur pour nettoyer l'appareil.
- Nettoyez l'appareil avec un chiffon doux humide. Utilisez uniquement des produits de lavage neutres. N'utilisez pas de produits abrasifs, de tampons à récurer, de solvants ni d'objets métalliques.
- Ne lavez pas les brûleurs au lave-vaisselle.

2.6 Service

- Pour réparer l'appareil, contactez le service après-vente agréé. Utilisez uniquement des pièces de rechange d'origine.

2.7 Mise au rebut

⚠ AVERTISSEMENT!

Risque de blessure ou d'asphyxie.

- Contactez votre service municipal pour obtenir des informations sur la marche à suivre pour mettre l'appareil au rebut.
- Débranchez l'appareil de l'alimentation électrique.
- Coupez le câble d'alimentation au ras de l'appareil et mettez-le au rebut.
- Aplatir les tuyaux de gaz externes.

3. INSTALLATION

⚠ AVERTISSEMENT!

Reportez-vous aux chapitres concernant la sécurité.

3.1 Avant l'installation

Avant d'installer la table de cuisson, notez les informations de la plaque signalétique ci-dessous. La plaque signalétique se trouve au bas de la table de cuisson.

Modèle
PNC
Numéro de série

3.2 Raccordement au gaz

⚠ AVERTISSEMENT!

Les instructions suivantes relatives à l'installation, à l'entretien et à l'aération doivent être effectuées par un professionnel qualifié, conformément aux textes réglementaires (UNI-CIG 7129 - 7131) en vigueur. Assurez-vous que la cuisine soit suffisamment aérée : maintenez ouverts les orifices d'aération naturelle (ils doivent être équivalents à au moins 100 cm²) ou installez une hotte à extraction mécanique.

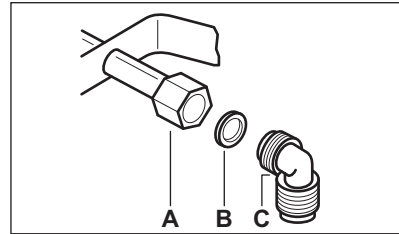
Effectuez un raccordement fixe (« rigide ») ou utilisez un tuyau flexible en acier inoxydable selon les normes en vigueur. Si vous utilisez des tuyaux flexibles métalliques, ils ne doivent pas entrer en contact avec des parties mobiles ni être comprimés. Soyez également vigilant lorsque la table est installée avec un four.



Assurez-vous que la pression de l'alimentation en gaz de l'appareil correspond aux valeurs recommandées.

Si la pression fournie ne correspond pas à la valeur indiquée, il est nécessaire d'installer un régulateur de pression adéquat, conformément à la norme UNI EN 88. Pour le gaz liquéfié (LPG), l'utilisation d'un régulateur

de pression est autorisée uniquement si celui-ci est conforme à la norme UNI EN 12864. Le raccordement réglable est relié à la rampe complète par un écrou fileté G 1/2 po. Vissez les pièces sans forcer, réglez le raccordement dans le sens nécessaire et serrez le tout.



- A. Extrémité du tuyau avec écrou
- B. Joint fourni avec l'appareil
- C. Coude fourni avec l'appareil

Raccordement rigide :

Effectuez le raccordement en utilisant des tuyaux métalliques rigides (en cuivre avec embout mécanique) (UNI-CIG 7129).

Connexion flexible :

Utilisez un tuyau flexible en acier inoxydable (UNI-CIG 9891) d'une longueur maximale de 2 m.

⚠ AVERTISSEMENT!

Lorsque l'installation est terminée, assurez-vous que chaque raccord est étanche. Utilisez une solution savonneuse et pas de flamme !

3.3 Remplacement des injecteurs

1. Démontez les supports des casseroles.
2. Démontez les chapeaux et les couronnes du brûleur.
3. À l'aide d'une clé de 7, démontez les injecteurs et remplacez-les par ceux qui sont nécessaires pour le type de gaz que vous utilisez (voir le tableau dans le chapitre « Données techniques »).
4. Assemblez les pièces et suivez la même procédure dans l'ordre inverse.
5. Remplacez la plaque signalétique (qui se trouve près du tuyau d'arrivée de gaz) par

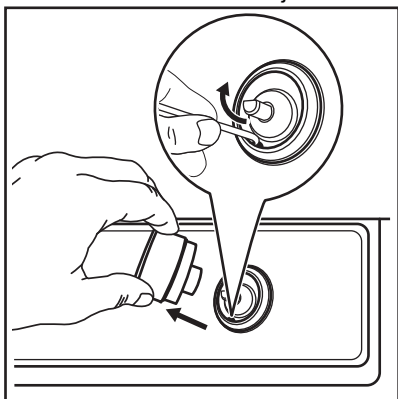
celle correspondant au nouveau type d'alimentation en gaz. Vous trouverez cette plaque dans le sachet fourni avec l'appareil.

Si la pression de l'alimentation en gaz peut être modifiée ou est différente de la pression nécessaire, vous devez monter un système de réglage de la pression sur le tuyau d'arrivée de gaz.

3.4 Réglage du débit minimum

Pour régler le débit minimum des brûleurs :

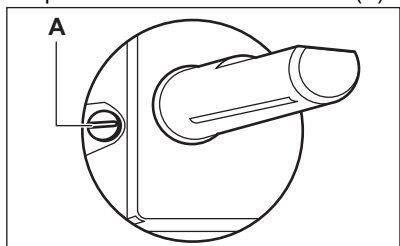
1. Allumez le brûleur.
2. Tournez la manette sur la position minimale.
3. Retirez la manette et le joint



⚠ AVERTISSEMENT!

Faites attention à ne pas endommager le joint. N'utilisez pas d'outil tranchant pour l'enlever.

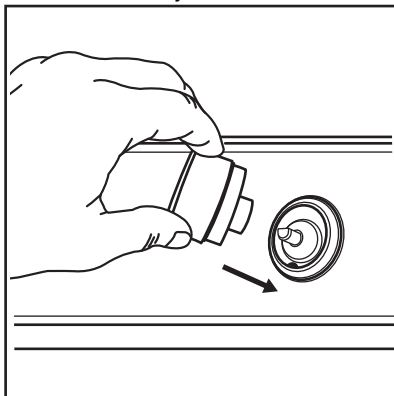
4. À l'aide d'un tournevis plat, ajustez la position de la vis de dérivation (A).



5. Si vous passez :

- du gaz naturel G20 20 mbar / G20Y20 20 mbar au gaz liquéfié, serrez à fond la vis de dérivation.
- du gaz liquéfié au gaz naturel G20 20 mbar / G20Y20 20 mbar, dévissez la vis de dérivation d'environ 1/4 tour (1/2 tour pour un brûleur multi-couronne).

6. Remontez le joint et la manette.



⚠ AVERTISSEMENT!

Veillez à placer le joint exactement dans sa position d'origine.

⚠ AVERTISSEMENT!

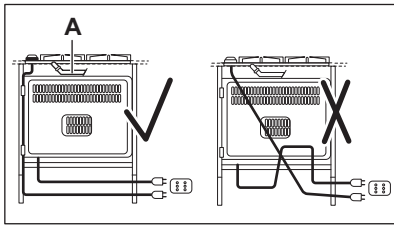
Assurez-vous que la flamme ne s'éteint pas lorsque vous tournez rapidement la manette de la position maximale à la position minimale.

3.5 Branchement électrique

- Vérifiez que la tension nominale et le type d'alimentation figurant sur la plaque signalétique correspondent aux valeurs d'alimentation locales.
- Cet appareil est fourni avec un câble d'alimentation. Une fiche appropriée, capable de supporter la charge indiquée sur la plaque signalétique, doit être adaptée au câble d'alimentation. Assurez-vous que la fiche est branchée dans une prise correcte.
- Utilisez toujours une prise de courant de sécurité correctement installée.
- Assurez-vous que la prise de courant est accessible une fois l'appareil installé.

- Ne tirez jamais sur le câble d'alimentation pour débrancher l'appareil. Tirez toujours sur la fiche.
- L'appareil ne doit pas être raccordé à l'aide d'un prolongateur, d'un adaptateur ni d'une prise multiple (risque d'incendie). Assurez-vous que le raccordement à la terre est conforme aux normes et réglementations.
- Le câble d'alimentation ne doit pas être exposé à une température supérieure à 90 °C.

Utilisez les colliers situés sur le côté de l'appareil pour éviter tout contact entre le câble et l'appareil sous la table de cuisson.

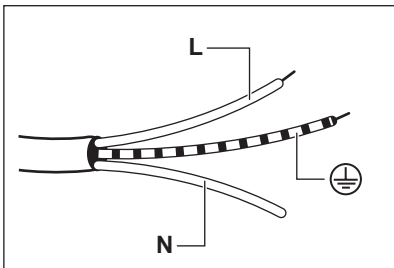


A. Tuyau en cuivre rigide ou tuyau flexible en acier inoxydable

3.6 Câble d'alimentation

Pour remplacer le câble d'alimentation, utilisez uniquement le câble spécial ou son équivalent. Le type de câble est : H03V2V2-F T90.

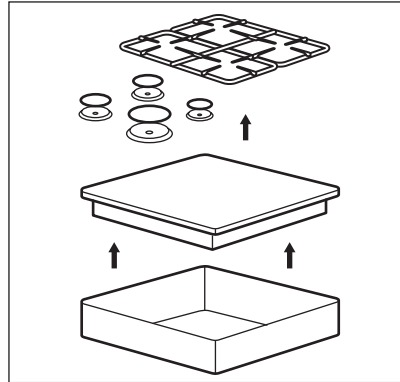
Assurez-vous que la section du câble convient à la tension et à la température de fonctionnement. Le câble de terre jaune/vert doit être plus long d'environ 2 cm que le câble de phase marron (ou noir).



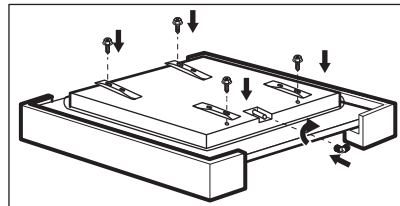
1. Reliez le fil vert et jaune (terre) à la borne portant la lettre « E » ou le symbole de terre (⊕) ou de couleur verte et jaune.
2. Reliez le fil bleu (neutre) à la borne portant la lettre « N » ou de couleur bleue.
3. Reliez le fil marron (phase) à la borne portant la lettre « L ». Il doit toujours être relié à la phase du réseau électrique.

3.7 Montage

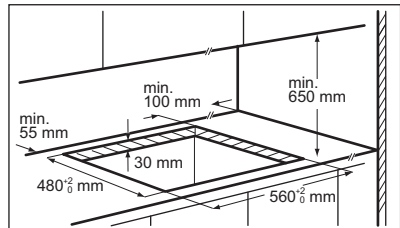
1.



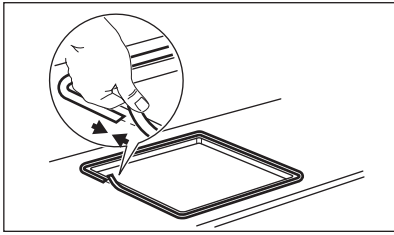
2.



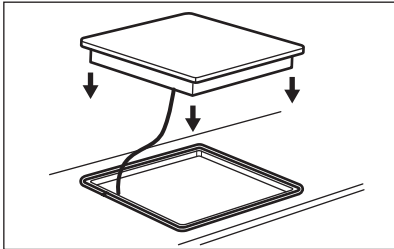
3.



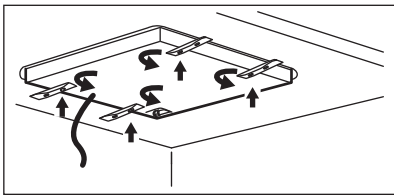
4.



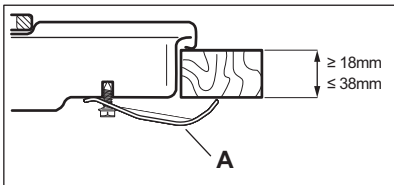
5.



6.

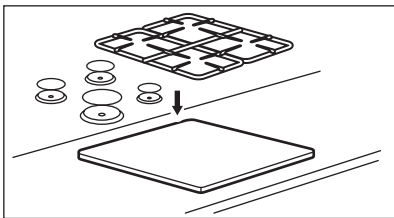


7.



A) équerre fournie

8.



⚠ ATTENTION!

Installez l'appareil uniquement sur un plan de travail dont la surface est plane.

3.8 Installation de la table de cuisson sous une hotte

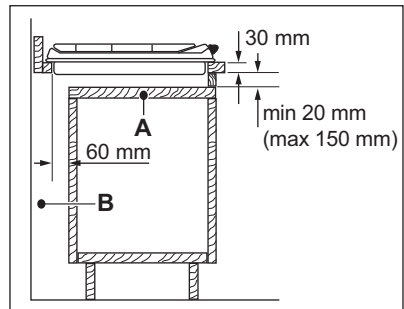


Si vous installez la table de cuisson sous une hotte, reportez-vous aux instructions d'installation de la hotte pour connaître la distance minimale nécessaire entre les appareils.

3.9 Possibilités d'insertion

Le panneau installé sous la table de cuisson doit être facile à retirer et facilement accessible au cas où une intervention technique serait nécessaire.

Élément de cuisine avec une porte



A. Panneau amovible

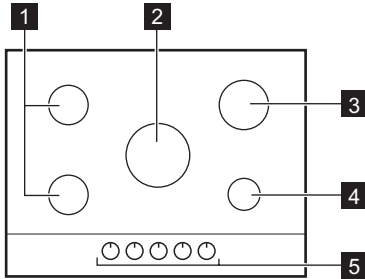
B. Espace pour les branchements

Élément de cuisine avec four

Les branchements électriques de la table de cuisson et du four doivent être installés séparément pour des raisons de sécurité et pour permettre un retrait facile du four de l'ensemble.

4. DESCRIPTION DE L'APPAREIL

4.1 Description de la table de cuisson



- 1 Brûleur semi-rapide
- 2 Brûleur multi-couronne
- 3 Brûleur rapide

- 4 Brûleur auxiliaire
- 5 Manettes de commande

4.2 Manette de commande

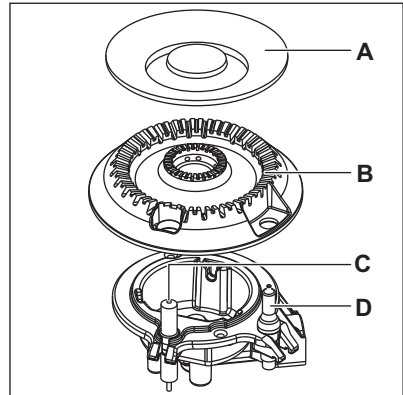
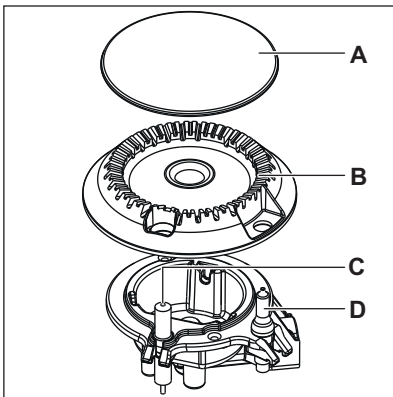
Symbole	Description
	pas d'alimentation en gaz / position Arrêt
	position d'allumage / alimentation en gaz maximale
	alimentation en gaz minimale

5. UTILISATION QUOTIDIENNE

AVERTISSEMENT!

Reportez-vous aux chapitres concernant la sécurité.

5.1 Vue d'ensemble des brûleurs



- A. Chapeau du brûleur
- B. Couronne du brûleur
- C. Bougie d'allumage
- D. Thermocouple

5.2 Allumage du brûleur



Allumez toujours le brûleur avant de poser un récipient dessus.

AVERTISSEMENT!

Faites très attention lorsque vous utilisez une flamme nue dans une cuisine. Le fabricant décline toute responsabilité en cas de mauvaise utilisation de la flamme.

1. Enfoncez la manette et tournez-la vers la gauche jusqu'à la position d'arrivée de gaz maximale (A).
2. Maintenez la manette enfoncée pendant 10 secondes environ. Cela permet au thermocouple de chauffer. Sinon, l'alimentation en gaz est interrompue.
3. Une fois que la flamme brûle régulièrement, réglez son débit.



Si, après plusieurs tentatives, le brûleur ne s'allume pas, vérifiez que la couronne et son chapeau sont correctement placés.

AVERTISSEMENT!

Ne maintenez pas la manette de commande enfoncée plus de 15 secondes. Si le brûleur ne s'allume pas au bout de 15 secondes, relâchez la manette de commande, tournez-la sur la position d'arrêt et attendez au moins 1 minute avant de réessayer d'allumer le brûleur.

ATTENTION!

En cas de coupure d'électricité, vous pouvez allumer le brûleur sans dispositif électrique : pour cela, approchez une flamme du brûleur, tournez la manette vers la gauche jusqu'à la position d'arrivée de gaz maximale et enfoncez-la. Maintenez la manette de commande enfoncée pendant environ 10 secondes pour permettre au thermocouple de chauffer.



Si le brûleur s'éteint accidentellement, tournez la manette de commande sur la position Arrêt et attendez au moins 1 minute avant de réessayer d'allumer le brûleur.



Le générateur d'étincelles peut s'activer automatiquement lorsque vous allumez l'alimentation secteur, après l'installation ou après une coupure de courant. C'est normal.



La table de cuisson est fournie avec les valves de distribution progressive. Elles rendent le réglage de la flamme plus précis.

5.3 Arrêt du brûleur

Pour éteindre la flamme, tournez la manette sur la position Arrêt ●.

AVERTISSEMENT!

Abaissez ou coupez toujours la flamme avant de retirer les récipients du brûleur.

6. CONSEILS

AVERTISSEMENT!

Reportez-vous aux chapitres concernant la sécurité.

6.1 Récipients

ATTENTION!

N'utilisez pas de plats en fonte, en argile, en grès, de grils ou de plats à gratin. L'acier inoxydable peut ternir s'il est trop chauffé.

AVERTISSEMENT!

Ne placez pas le même récipient sur deux brûleurs.

AVERTISSEMENT!

Ne placez pas de récipients instables ou déformés sur le brûleur afin d'éviter les débordements et les blessures.

ATTENTION!

Assurez-vous que le fond des récipients ne se trouve pas trop près de la manette de commande sinon la flamme fait chauffer la manette.

ATTENTION!

Assurez-vous que les poignées des récipients ne dépassent pas du devant de la table de cuisson.

ATTENTION!

Assurez-vous que les récipients de cuisson sont bien centrés sur le brûleur afin de garantir leur stabilité et de réduire la consommation de gaz.

6.2 Diamètres des récipients



Utilisez uniquement des récipients dont le diamètre correspond aux dimensions des brûleurs.

Brûleur	Diamètre du récipient (mm)
Multi couronne	180 - 260
Rapide	180 - 260
Semi-rapide	120 - 240
Auxiliaire	80 - 180

7. ENTRETIEN ET NETTOYAGE

AVERTISSEMENT!

Reportez-vous aux chapitres concernant la sécurité.

7.1 Informations générales

- Nettoyez la table de cuisson après chaque utilisation.
- Utilisez toujours un récipient dont le fond est propre.
- Les rayures ou les taches sombres sur la surface n'ont aucune incidence sur le fonctionnement de la table de cuisson.
- Utilisez un nettoyant spécialement adapté à la surface de la table de cuisson.

Inox

- Lavez les éléments en inox à l'eau, puis séchez-les à l'aide d'un chiffon doux.

- Pour retirer les résidus d'aliments et de graisses brûlés ou les taches tenaces, versez une petite quantité de détergent doux dessus et laissez-le agir pendant quelques minutes avant de nettoyer.
- Pour protéger les surfaces en acier, utilisez des produits nettoyants spécifiquement conçus pour le nettoyage de l'acier inoxydable.
- N'utilisez pas de produits nettoyants contenant des produits chimiques corrosifs comme le chlorure. Ne nettoyez pas la surface avec des produits désinfectants, des agents détachants ou anti-rouille, ou des produits de nettoyage par immersion.

7.2 Supports de casserole



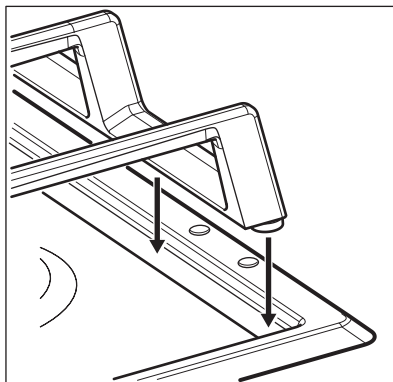
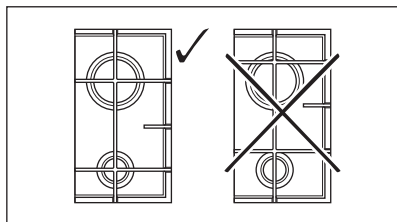
Les supports de casserole ne sont pas adaptés au lavage dans un lave-vaisselle. Ils doivent être lavés à la main.

1. Retirez les supports de casserole pour nettoyer plus facilement la table de cuisson.



Remplacez les supports de casserole avec soin afin de ne pas endommager le dessus de la table de cuisson.

2. Lorsque vous lavez les supports de casserole à la main, faites bien attention lorsque vous les essuyez, car le revêtement en émail peut présenter des bords coupants. Si nécessaire, retirez les taches tenaces à l'aide d'une pâte nettoyante.
3. Après avoir lavé les supports de casserole, veillez à les remettre correctement en place.
4. Pour que le brûleur fonctionne correctement, assurez-vous que les bras des supports de casserole sont alignés avec le centre du brûleur.



7.3 Nettoyage de la table de cuisson

- **Enlevez immédiatement** : le plastique fondu, les feuilles de plastique, le sucre et les aliments contenant du sucre car la saleté peut endommager la table de cuisson. Veillez à ne pas vous brûler.
- **Une fois que la table de cuisson a suffisamment refroidi, enlevez** : traces de calcaire et d'eau, projections de graisse, décolorations métalliques luisantes. Nettoyez la table de cuisson à l'aide d'un chiffon humide et d'un détergent non abrasif. Après le nettoyage, séchez la table de cuisson à l'aide d'un chiffon doux.
- Nettoyez les éléments en émail, les chapeaux et les couronnes avec de l'eau chaude savonneuse et séchez-les soigneusement avant de les remettre en place.

7.4 Nettoyage de la bougie d'allumage

Cette fonctionnalité est obtenue grâce à une bougie d'allumage en céramique dotée d'une électrode en métal. Veillez à maintenir ces composants propres afin de faciliter l'allumage. Assurez-vous également que les orifices des couronnes des brûleurs ne sont pas obstrués.

7.5 Entretien périodique

Contactez périodiquement votre service après-vente pour contrôler l'état du tuyau d'arrivée de gaz et du régulateur de pression si votre installation en est équipée.

8. DÉPANNAGE

AVERTISSEMENT!

Reportez-vous aux chapitres concernant la sécurité.

8.1 Que faire, quand...

Problème	Cause probable	Solution
Aucune étincelle ne se produit lorsque vous tentez d'actionner le générateur d'étincelles.	La table de cuisson n'est pas connectée à une source d'alimentation électrique, ou le branchement est incorrect.	Vérifiez que la table de cuisson est correctement branchée à une source d'alimentation électrique.
	Le fusible a disjoncté.	Vérifiez que le fusible est bien la cause de l'anomalie. Si les fusibles disjonctent de manière répétée, faites appel à un électricien qualifié.
	Le chapeau et la couronne du brûleur sont mal positionnés.	Positionnez correctement le chapeau et la couronne du brûleur.
La flamme s'éteint immédiatement après s'être allumée.	Le thermocouple n'est pas suffisamment chaud.	Maintenez la manette enfoncée pendant 10 secondes maximum une fois la flamme allumée.
La couronne de flamme n'est pas de niveau.	La couronne du brûleur est encrassée par des résidus alimentaires.	Assurez-vous que l'injecteur n'est pas bouché et que la couronne est propre.

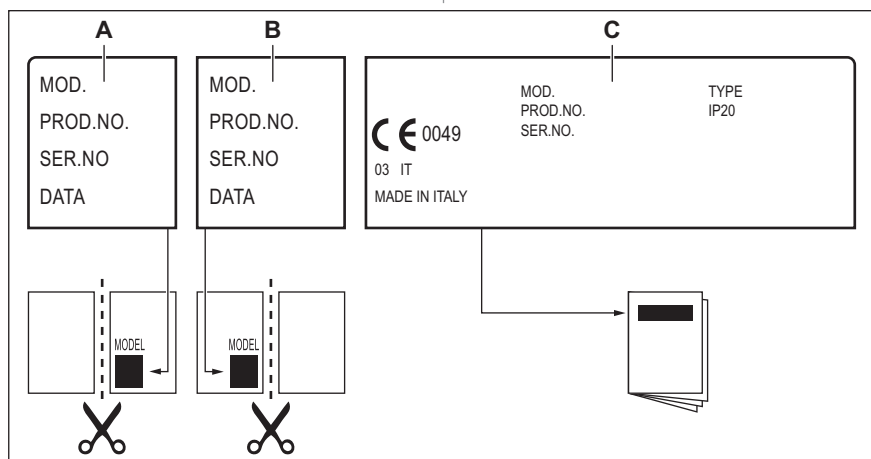
8.2 Si vous ne trouvez pas de solution...

Si vous ne trouvez pas de solution au problème, veuillez contacter votre revendeur ou un service après-vente agréé. Veuillez lui fournir les informations se trouvant sur la plaque signalétique. Assurez-vous d'utiliser correctement l'appareil. En cas d'erreur de manipulation de la part de l'utilisateur, le

déplacement du technicien du service après-vente ou du vendeur pourra être facturé, même en cours de garantie. Les instructions relatives au service après-vente et aux conditions de garantie figurent dans le livret de garantie.

8.3 Étiquettes fournies dans le sachet des accessoires

Collez les étiquettes adhésives comme indiqué ci-dessous :



- A. Collez-la sur la carte de garantie et envoyez cette partie (le cas échéant).
- B. Collez-la sur la carte de garantie et conservez cette partie (le cas échéant).

- C. Collez-la sur la notice d'utilisation.

9. CARACTÉRISTIQUES TECHNIQUES

9.1 Dimensions de la table de cuisson

Largeur	744 mm
Profondeur	510 mm

9.2 Diamètres des vis de réglage

BRÛLEUR	Ø VIS DE RÉGLAGE 1/100 mm
Multi couronne	57
Rapide	52
Semi-rapide	35
Auxiliaire	28

9.3 Autres données techniques

PUISSANCE TOTALE :	Gaz original :	G20 (2H) 20 mbar G20Y20 (2HY20) 20 mbar	11,65 kW 11,15 kW
	Remplacement du gaz :	G30 (3+) 28-30 mbar G31 (3+) 37 mbar	825 g/h 811 g/h
Alimentation électrique :	220 - 240 V ~ 50 - 60 Hz		
Catégorie de l'appareil :	II2HY203+		
Raccordement au gaz :	G 1/2"		
Classe d'appareil :	3		

9.4 Brûleurs à gaz pour GAZ NATUREL G20 20 mbar

BRÛLEUR	PUISSANCE NORMALE kW	PUISSANCE MINIMALE kW	MARQUAGE DE L'INJECTEUR
Multi couronne	4,0	1,4	146
Rapide	2,95	0,75	119°
Semi-rapide	1,85	0,6	92
Auxiliaire	1,0	0,33	70

9.5 Brûleurs à gaz pour GAZ NATUREL G20Y20 20 mbar

BRÛLEUR	PUISSANCE NORMALE kW	PUISSANCE MINIMALE kW	MARQUAGE DE L'INJECTEUR
Multi couronne	3,7	1,4	146
Rapide	2,95	0,75	119°
Semi-rapide	1,75	0,6	92
Auxiliaire	1,0	0,33	70

9.6 Brûleurs à gaz pour LPG G30/G31 28-30/37 mbar

BRÛLEUR	PUISSANCE NORMALE kW	PUISSANCE MINIMALE kW	CARACTÉRISTIQUE DE L'INJECTEUR	DÉBIT DE GAZ NOMINAL g/h	
				G30 28-30 mbar	G31 37 mbar
Multi couronne	3,55	1,4	095	258	254
Rapide	2,8	0,95	86	204	200
Semi-rapide	2,0	0,6	71	145	143

BRÛLEUR	PUISSANCE NORMALE kW	PUISSANCE MINIMALE kW	CARACTÉRISTIQUE DE L'INJECTEUR	DÉBIT DE GAZ NOMINAL g/h	
				G30 28-30 mbar	G31 37 mbar
Auxiliaire	1,0	0,33	50	73	71

10. RENDEMENT ÉNERGÉTIQUE

10.1 Informations sur le produit conformément aux réglementations d'écoconception de l'UE

Identification du modèle	KGS7536SX	
Type de table de cuisson	Table de cuisson intégrée	
Nombre de brûleurs à gaz	5	
Efficacité énergétique par brûleur à gaz (EE gas burner)	Arrière gauche - Semi-rapide	60.5%
	Arrière droit - Rapide	57.8%
	Milieu central - Multi couronne	53.0%
	Avant gauche - Semi-rapide	60.7%
	Avant droit - Auxiliaire	non applicable
Efficacité énergétique de la table de cuisson à gaz (EE gas hob)	58.0%	

EN 30-2-1 : Appareils de cuisson domestiques à gaz - Partie 2-1 : Utilisation rationnelle de l'énergie - Général

10.2 Économies d'énergie

- Avant l'utilisation, assurez-vous que les brûleurs et les supports de casseroles sont correctement mis en place.
- Utilisez des récipients de cuisson dont le diamètre est adapté aux dimensions des brûleurs.
- Centrez le récipient sur le brûleur.
- Lorsque vous faites chauffer de l'eau, n'utilisez que la quantité dont vous avez besoin.

- Dans la mesure du possible, placez toujours les couvercles sur les récipients de cuisson.
- Lorsque le liquide commence à bouillir, baissez la flamme de manière à ce qu'il mijote à peine.
- Dans la mesure du possible, utilisez un autocuiseur. Veuillez vous reporter à son manuel d'utilisation.



10.3 Informations produits pour la consommation d'énergie et le temps maximum requis pour atteindre le mode basse consommation applicable

Consommation d'énergie pondérée en mode « arrêt »

0.3 W

Temps maximum requis pour que l'équipement atteigne automatiquement le mode 2 min
basse puissance applicable

11. EN MATIÈRE DE PROTECTION DE L'ENVIRONNEMENT

Recyclez les matériaux portant le symbole . Déposez les emballages dans les conteneurs prévus à cet effet. Contribuez à la protection de l'environnement et à votre sécurité, recyclez vos produits électriques et électroniques. Ne jetez pas les appareils portant le symbole  avec les ordures

ménagères. Emmenez un tel produit dans votre centre local de recyclage ou contactez vos services municipaux.

Electrolux Appliances AB - Contact Address:
Al. Powstancow Slaskich 26, 30-570 Krakow,
Poland

Willkommen bei Electrolux! Danke, dass Sie sich für unser Gerät entschieden haben.



Anwendungshinweise, Prospekte, Informationen zu Fehlerbehebung, Service und Reparatur erhalten Sie hier:
www.electrolux.com/support

Änderungen vorbehalten.

INHALTSVERZEICHNIS

1. SICHERHEITSHINWEISE.....	38
2. SICHERHEITSANWEISUNGEN.....	41
3. MONTAGE.....	44
4. GERÄTEBESCHREIBUNG.....	48
5. TÄGLICHER GEBRAUCH.....	48
6. TIPPS UND HINWEISE.....	50
7. REINIGUNG UND PFLEGE.....	51
8. FEHLERSUCHE.....	52
9. TECHNISCHE DATEN.....	53
10. ENERGIEEFFIZIENZ.....	55
11. UMWELTTIPPS.....	55

1. ⚠ SICHERHEITSHINWEISE

Lesen Sie vor der Montage und dem Gebrauch des Geräts zuerst die Bedienungsanleitung. Bei Verletzungen oder Schäden infolge nicht ordnungsgemäßer Montage oder Verwendung übernimmt der Hersteller keine Haftung. Bewahren Sie die Anleitung zum Nachschlagen an einem sicheren und zugänglichen Ort auf.

1.1 Sicherheit von Kindern und schutzbedürftigen Personen

- Das Gerät kann von Kindern ab 8 Jahren und Personen mit eingeschränkten physischen, sensorischen oder geistigen Fähigkeiten oder mit mangelnder Erfahrung/mangelndem Wissen benutzt werden, wenn sie durch eine für ihre Sicherheit zuständige Person beaufsichtigt werden oder von dieser Person Anweisungen erhalten haben, wie das Gerät sicher zu bedienen ist und welche Gefahren bei nicht

ordnungsgemäßer Bedienung bestehen. Kinder unter 8 Jahren und Personen mit schweren Behinderungen oder Mehrfachbehinderung sollten vom Gerät ferngehalten werden, wenn sie nicht ständig beaufsichtigt werden.

- Kinder sollten beaufsichtigt werden, um sicherzustellen, dass sie nicht mit dem Gerät.
- Halten Sie sämtliches Verpackungsmaterial von Kindern fern und entsorgen Sie es ordnungsgemäß.
- **WARNUNG:** Das Gerät und die zugänglichen Geräteteile werden während des Betriebs heiß. Halten Sie Kinder und Haustiere von dem Gerät fern, wenn es in Betrieb oder in der Abkühlphase ist.
- Falls Ihr Gerät mit einer Kindersicherung ausgestattet ist, empfehlen wir, diese einzuschalten.
- Kinder dürfen keine Reinigung und Wartung des Geräts ohne Beaufsichtigung durchführen.

1.2 Allgemeine Sicherheit

- Dieses Gerät ist nur zum Kochen bestimmt.
- Dieses Gerät ist für den häuslichen Gebrauch im Haushalt in Innenräumen konzipiert.
- Dieses Gerät darf in Büros, Hotelzimmern, Gästezimmern in Pensionen, Bauernhöfen und anderen ähnlichen Unterkünften verwendet werden, wenn diese Nutzung das (durchschnittliche) Nutzungsniveau im Haushalt nicht überschreitet.
- **WARNUNG:** Das Gerät und die zugänglichen Geräteteile werden während des Betriebs heiß. Seien Sie vorsichtig und berühren Sie niemals die Heizelemente.
- **WARNUNG:** Kochen mit Fett oder Öl auf einem unbeaufsichtigten Kochfeld ist gefährlich und kann ggf. zu einem Brand führen.
- Verwenden Sie niemals Wasser, um das Kochfeuer zu löschen. Schalten Sie das Gerät aus und löschen Sie Flammen beispielsweise mit einer Löschdecke oder einem Deckel.

- **WARNUNG:** Das Gerät darf nicht durch ein externes Schaltgerät, wie eine Zeitschaltuhr, mit Strom versorgt oder an einen Schaltkreis angeschlossen werden, der von einem Programm regelmäßig ein- und ausgeschaltet wird.
- **ACHTUNG:** Der Kochvorgang muss überwacht werden. Ein kurzer Kochvorgang muss kontinuierlich überwacht werden.
- **WARNUNG:** Brandgefahr: Lagern Sie keine Gegenstände auf den Kochflächen.
- Metallische Gegenstände wie Messer, Gabeln, Löffel und Deckel sollten nicht auf die Oberfläche des Kochfelds gelegt werden, da diese heiß werden können.
- Verwenden Sie das Gerät nicht, bevor es in den Einbauschrank gesetzt wird.
- Reinigen Sie das Gerät nicht mit einem Dampfstrahlreiniger.
- Wenn das Netzkabel beschädigt ist, muss es vom Hersteller, einem autorisierten Kundendienst oder einer ähnlich qualifizierten Person zur Vermeidung einer Gefahrenquelle ersetzt werden.
- Ist das Gerät direkt an die Stromversorgung angeschlossen, wird ein allpoliger Netztrennschalter mit einem Kontaktabstand benötigt. Vollständige Trennung unter Beachtung der in der Überspannungskategorie III aufgeführten Bedingungen muss gewährleistet sein. Das Erdungskabel ist davon ausgenommen.
- Wenn Sie das Netzkabel verlegen, achten Sie darauf, dass es keinen direkten Kontakt mit Teilen hat (z. B. mit Isolierschläuchen), die Temperaturen erreichen können, die mehr als 50 °C über der Raumtemperatur liegen.
- **WARNUNG:** Verwenden Sie nur Schutzabdeckungen des Herstellers des Kochgeräts, von ihm in der Bedienungsanleitung als geeignet empfohlene Schutzabdeckungen oder die im Gerät enthaltene Schutzabdeckung. Es besteht Unfallgefahr durch die Verwendung ungeeigneter Schutzabdeckungen.

2. SICHERHEITSANWEISUNGEN

Dieses Gerät ist für folgende Märkte

geeignet: 

2.1 Montage

WARNUNG!

Nur eine qualifizierte Fachkraft darf die Montage des Geräts vornehmen.

WARNUNG!

Verletzungsgefahr sowie Risiko von Schäden am Gerät.

- Entfernen Sie das gesamte Verpackungsmaterial.
- Montieren Sie ein beschädigtes Gerät nicht und benutzen Sie es nicht.
- Halten Sie sich an die mitgelieferte Montageanleitung.
- Die Mindestabstände zu anderen Geräten und Küchenmöbeln sind einzuhalten.
- Seien Sie beim Umsetzen des Gerätes vorsichtig, da es sehr schwer ist. Tragen Sie stets Sicherheitshandschuhe und festes Schuhwerk.
- Dichten Sie die Ausschnittskanten mit einem Dichtungsmittel ab, um ein Aufquellen durch Feuchtigkeit zu verhindern.
- Schützen Sie die Geräteunterseite vor Dampf und Feuchtigkeit.
- Installieren Sie das Gerät nicht direkt neben einer Tür oder unter einem Fenster. So kann heißes Kochgeschirr nicht herunterfallen, wenn die Tür oder das Fenster geöffnet wird.
- Wird das Gerät über Schubladen eingebaut, achten Sie darauf, dass zwischen dem Geräteboden und der oberen Schublade ein ausreichender Abstand für die Luftzirkulation vorhanden ist.
- Der Boden des Geräts kann heiß werden. Bringen Sie eine feuerfeste Trennplatte unter dem Gerät an, damit der Boden nicht zugänglich ist.

2.2 Elektrischer Anschluss

WARNUNG!

Brand- und Stromschlaggefahr.

- Alle elektrischen Anschlüsse sollten von einem qualifizierten Elektriker vorgenommen werden.
- Das Gerät muss geerdet sein.
- Vor der Durchführung jeglicher Arbeiten muss das Gerät von der elektrischen Stromversorgung getrennt werden.
- Stellen Sie sicher, dass die Daten auf dem Typenschild mit den elektrischen Nennwerten der Netzspannung übereinstimmen.
- Vergewissern Sie sich, dass das Gerät ordnungsgemäß installiert ist. Lockere und unsachgemäße Kabel oder Stecker (falls vorhanden) können die Klemme überhitzen.
- Verwenden Sie das richtige Stromnetzkabel.
- Achten Sie darauf, dass sich das Stromnetzkabel nicht verheddert.
- Stellen Sie sicher, dass ein Überspannungsschutz installiert ist.
- Verwenden Sie die Klemme für die Zugentlastung am Kabel.
- Stellen Sie beim Anschluss des Gerätesteckers an eine Steckdose sicher, dass das Netzkabel oder ggf. der Netzstecker nicht mit dem heißen Gerät oder heißem Kochgeschirr in Berührung kommt.
- Verwenden Sie keine Mehrfachsteckdosen oder Verlängerungskabel.
- Achten Sie darauf, den Netzstecker (falls zutreffend) oder das Netzkabel nicht zu beschädigen. Wenden Sie sich zum Austausch eines beschädigten Netzkabels an unseren autorisierten Kundendienst oder eine Elektrofachkraft.
- Alle Teile, die gegen direktes Berühren schützen, sowie die isolierten Teile müssen so befestigt werden, dass sie nicht ohne Werkzeug entfernt werden können.

- Stecken Sie den Netzstecker erst nach Abschluss der Montage in die Steckdose. Stellen Sie sicher, dass der Netzstecker nach der Montage noch zugänglich ist.
- Falls die Steckdose lose ist, schließen Sie den Netzstecker nicht an.
- Ziehen Sie nicht am Netzkabel, wenn Sie das Gerät von der Stromversorgung trennen möchten. Ziehen Sie stets am Netzstecker.
- Verwenden Sie nur geeignete Trenneinrichtungen: Überlastschalter, Sicherungen (Schraub Sicherungen müssen aus dem Halter entfernt werden können), Fehlerstromschutzschalter und Schütze.
- Die elektrische Installation muss eine Trenneinrichtung aufweisen, mit der Sie das Gerät allpolig von der Stromversorgung trennen können. Die Trenneinrichtung muss mit einer Kontaktöffnungsweite von mindestens 3 mm ausgeführt sein.

2.3 Gasanschluss

VORSICHT!

Wenn Sie einen Gaszylinder verwenden, stellen Sie ihn immer auf eine flache horizontale Oberfläche (mit dem Gasventil nach oben).

- Der Gasanschluss muss von einer Fachkraft ausgeführt werden.
- Vergewissern Sie sich vor der Montage des Geräts, dass das von Ihrem Gaswerk gelieferte Gas (Gasart und Gasdruck) mit der Einstellung des Geräts kompatibel ist.
- Stellen Sie sicher, dass die Luft um das Gerät zirkulieren kann.
- Informationen über die Gasversorgung finden Sie auf dem Typenschild.
- Das Gerät darf nicht an einen Abzug für Verbrennungsprodukte angeschlossen werden. Das Gerät muss gemäß der aktuell geltenden Installationsbestimmungen angeschlossen werden. Beachten Sie die Anforderungen an eine ausreichende Belüftung.

2.4 Gebrauch

WARNUNG!

Verletzungs-, Verbrennungs- und Stromschlaggefahr.

VORSICHT!

Die Verwendung eines Gaskochgeräts führt zur Entstehung von Wärme, Feuchtigkeit und Verbrennungsprodukten in dem Raum, in dem es installiert ist. Stellen Sie sicher, dass die Küche gut belüftet ist, insbesondere wenn das Gerät in Betrieb ist. Eine längere intensive Nutzung des Geräts kann eine zusätzliche Belüftung erforderlich machen, z. B. eine verstärkte mechanische Belüftung, sofern vorhanden, oder eine zusätzliche Belüftung, um die Verbrennungsprodukte sicher nach außen (in die Außenluft) zu leiten und gleichzeitig für einen Luftaustausch im Raum zu sorgen. Lassen Sie sich vor der Installation der zusätzlichen Belüftung von einer Fachkraft beraten.

- Nehmen Sie keine technischen Änderungen am Gerät vor.
- Entfernen Sie vor dem ersten Gebrauch alle Verpackungen, Kennzeichnungen und Schutzfolien (falls zutreffend).
- Vergewissern Sie sich, dass die Lüftungsöffnungen nicht blockiert sind.
- Lassen Sie das Gerät während des Betriebs nicht unbeaufsichtigt.
- Schalten Sie die Kochzone nach jedem Gebrauch „aus“.
- Legen Sie kein Besteck bzw. keine Deckel auf die Kochzonen. Anderenfalls werden sie sehr heiß.
- Benutzen Sie das Gerät nicht mit nassen Händen oder wenn es mit Wasser Kontakt hat.
- Verwenden Sie das Gerät nicht als Arbeits- oder Abstellfläche.
- Wenn Sie Speisen in heißes Öl legen, kann es spritzen.

WARNUNG!

Brand- und Explosionsgefahr

- Öle und Fette können beim Erhitzen brennbare Dämpfe freisetzen. Halten Sie Flammen oder erhitzte Gegenstände während des Kochens von Fetten und Ölen fern.
- Die Dämpfe, die sehr heißes Öl freisetzt, können zu einer spontanen Verbrennung führen.
- Gebrauchtes Öl, das Speisereste enthalten kann, kann schon bei einer niedrigeren Temperatur einen Brand verursachen als Öl, das zum ersten Mal verwendet wird.
- Platzieren Sie keine entflammaren Produkte oder Gegenstände, die mit entflammaren Produkten benetzt sind, im Gerät, auf dem Gerät oder in der Nähe des Geräts.

⚠️ WARNUNG!

Risiko von Schäden am Gerät.

- Stellen Sie kein heißes Kochgeschirr auf das Bedienfeld.
- Lassen Sie Kochgeschirr nicht leerkochen.
- Achten Sie darauf, dass keine Gegenstände oder Kochgeschirr auf das Gerät fallen. Die Oberfläche könnte beschädigt werden.
- Lassen Sie einen Brenner niemals eingeschaltet, wenn sich kein bzw. leeres Kochgeschirr darauf befindet.
- Legen Sie keine Alufolie direkt auf das Gerät.
- Verwenden Sie nur stabiles Kochgeschirr mit der richtigen Form und Durchmesser, die größer als die Abmessungen der Brenner sind.
- Achten Sie darauf das Kochgeschirr mittig auf die Brenner zu stellen.
- Verwenden Sie kein großes Kochgeschirr, das über die Kanten des Geräts herausragt. Dies kann zu Schäden an der Arbeitsfläche führen.
- Vergewissern Sie sich, dass die Flamme nicht erlischt, wenn Sie den Knopf schnell von der höchsten auf die niedrigste Stufe schalten.
- Verwenden Sie nur mit dem Gerät geliefertes Zubehör.
- Stellen Sie keinen Flammendiffusor auf den Brenner.
- Lassen Sie keine säurehaltigen Flüssigkeiten wie Essig, Zitronensaft oder

kalklösende Reinigungsmittel mit dem Kochfeld in Berührung kommen. Dies kann zu matten Flecken führen.

- Verfärbungen der Emaille- oder Edelstahlbeschichtung haben keine Auswirkung auf die Leistung des Geräts.

2.5 Reinigung und Pflege

⚠️ WARNUNG!

Entfernen Sie nicht die Tasten, Knöpfe oder Dichtungen vom Bedienfeld. Wasser könnte in das Gerät gelangen und es beschädigen.

- Reinigen Sie das Gerät regelmäßig, um eine Verschlechterung des Oberflächenmaterials zu verhindern.
- Schalten Sie das Gerät vor dem Reinigen aus und lassen Sie es abkühlen
- Reinigen Sie das Gerät nicht mit Wasserspray oder Dampf.
- Reinigen Sie das Geräts mit einem weichen, feuchten Tuch. Verwenden Sie ausschließlich Neutralreiniger. Benutzen Sie keine Scheuermittel, scheuernde Reinigungsschwämmchen, Lösungsmittel oder Metallgegenstände.
- Reinigen Sie die Brenner nicht im Geschirrspüler.

2.6 Wartung

- Wenden Sie sich zur Reparatur des Geräts an den autorisierten Kundendienst. Dabei dürfen ausschließlich Originalersatzteile verwendet werden.

2.7 Entsorgung

⚠️ WARNUNG!

Verletzungs- und Erstickungsgefahr.

- Informationen zur Entsorgung des Geräts erhalten Sie von Ihrer Gemeindeverwaltung.
- Trennen Sie das Gerät von der Stromversorgung.
- Schneiden Sie das Netzkabel in der Nähe des Geräts ab, und entsorgen Sie es.
- Die externen Gasleitungen flach ausrichten.

3. MONTAGE

⚠️ WARNUNG!

Siehe Kapitel Sicherheitshinweise.

3.1 Vor der Montage

Notieren Sie vor der Montage des Kochfelds folgende Daten, die Sie auf dem Typenschild finden. Das Typenschild ist auf dem Boden des Kochfelds angebracht.

Modell
Produktnummer
(PNC)
Seriennummer

3.2 Gasanschluss

⚠️ WARNUNG!

Die in nachstehender Anleitung beschriebenen Installations- und Wartungsarbeiten sowie die Belüftung müssen von Fachpersonal unter Beachtung der geltenden Bestimmungen (UNI-CIG 7129 - 7131) ausgeführt werden. Stellen Sie sicher, dass die Küche gut belüftet ist: Halten Sie natürliche Belüftungsöffnungen von mindestens 100 cm² offen oder installieren Sie eine mechanische Abzugshaube.

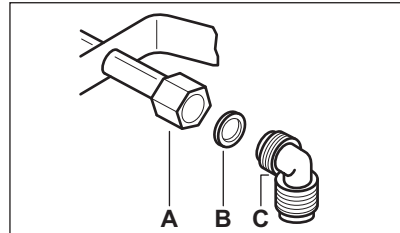
Je nach geltenden Bestimmungen kann der Anschluss fest oder durch Verwendung eines flexiblen Edelstahlrohrs erfolgen. Bei Verwendung flexibler Metallrohre muss darauf geachtet werden, dass sie nicht mit beweglichen Teilen in Kontakt kommen oder eingeklemmt werden können. Wenn das Kochfeld mit einem Backofen installiert wird, muss ebenfalls vorsichtig vorgegangen werden.



Achten Sie darauf, dass der Gasdruck des Geräts den empfohlenen Werten entspricht.

Entspricht der gelieferte Druck nicht dem angegebenen Wert, muss ein geeigneter

Druckregler gemäß der Norm UNI EN 88 installiert werden. Im Fall von Flüssiggas (LPG) ist die Verwendung eines Druckreglers nur erlaubt, wenn er der Norm UNI EN 12864 entspricht. Das verstellbare Anschlussstück wird an dem Gasanschluss mit einer G 1/2" Gewindemutter befestigt. Verschrauben Sie die Teile ohne Kraftanwendung, bringen Sie das Anschlussstück in die benötigte Richtung und schrauben Sie alle Teile fest.



- A. Schaftende mit Mutter
- B. Mitgelieferte Beilagscheibe
- C. Mitgelieferter Rohrbogen

Fester Anschluss:

Führen Sie den Anschluss mit festen Metallrohren (Kupfer mit mechanischem Endstück) aus (UNI-CIG 7129).

Flexibler Anschluss:

Verwenden Sie ein flexibles Edelstahlrohr (UNI-CIG 9891) mit einer maximalen Länge von 2 m.

⚠️ WARNUNG!

Überprüfen Sie nach der Installation, ob alle Anschlussstücke dicht sind. Verwenden Sie eine Seifenlösung und keine Flamme!

3.3 Austauschen der Düsen

1. Nehmen Sie die Topfträger ab.
2. Nehmen Sie Brennerdeckel und Brennerkronen ab.
3. Entfernen Sie die Düsen mit einem Steckschlüssel 7 und ersetzen Sie sie durch für die verwendete Gasart geeignete Düsen (siehe Tabelle im Abschnitt „Technische Daten“).

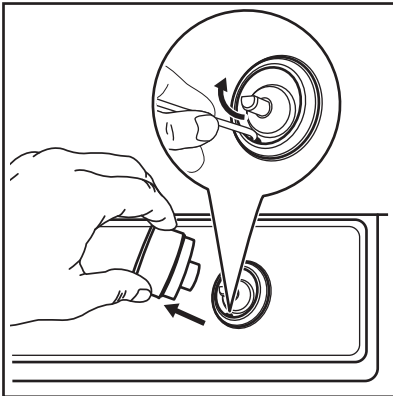
4. Bringen Sie die Teile wieder an. Führen Sie dazu die obigen Schritte in umgekehrter Reihenfolge aus.
5. Ersetzen Sie das Typenschild (in der Nähe der Gasversorgungsleitung) durch das Typenschild für die neue Gasart. Das Typenschild ist im Beipack des Geräts enthalten.

Wenn der Gasdruck der Gasversorgung schwankt oder nicht dem erforderlichen Druckwert entspricht, muss ein geeigneter Druckregler im Gaszufuhrrohr montiert werden.

3.4 Einstellung der Mindeststufe

Einstellen der Mindeststufe der Brenner:

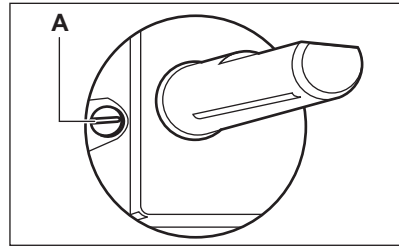
1. Zünden Sie den Brenner.
2. Drehen Sie den Einstellknopf auf die Mindeststufe.
3. Entfernen Sie den Knopf und die Dichtung.



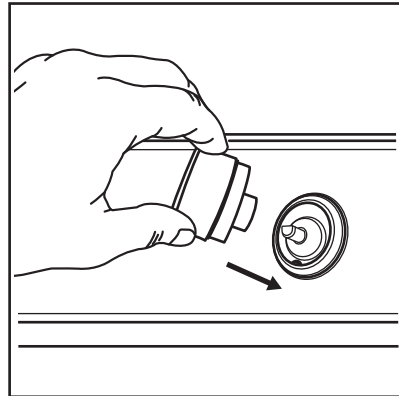
⚠️ WARNUNG!

Achten Sie darauf, dass die Dichtung nicht beschädigt wird. Entfernen Sie sie nicht mit einem scharfen Werkzeug.

4. Stellen Sie mit einem kleinen Schraubendreher die Bypass-Schraubenposition (A) ein.



5. Wenn Sie wechseln:
 - Von Erdgas G20 20 mbar / G20Y20 20 mbar auf Flüssiggas, ziehen Sie die Bypass-Schraube bis zum Anschlag an.
 - Von Flüssiggas auf Erdgas G20 20 mbar / G20Y20 20 mbar, drehen Sie die Bypass-Schraube ca. 1/4 Umdrehung (1/2 Umdrehung für den Multikronen-Brenner) zurück.
6. Bringen Sie die Dichtung und den Knopf wieder an.



⚠️ WARNUNG!

Achten Sie darauf, die Dichtung genau in der Originalposition einzusetzen.

⚠️ WARNUNG!

Vergewissern Sie sich, dass die Flamme nicht erlischt, wenn Sie den Knopf schnell von der höchsten auf die niedrigste Stufe schalten.

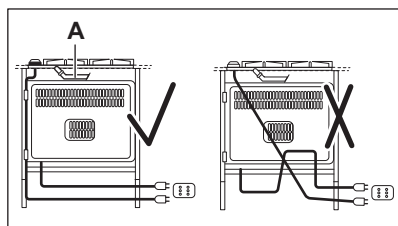
3.5 Elektroanschluss

- Vergewissern Sie sich, dass die Netzspannung und -frequenz in Ihrer

Region mit den auf dem Typenschild angegebenen Anschlusswerten übereinstimmen.

- Das Gerät wird mit einem Netzkabel geliefert. Dazu muss ein passender Stecker verwendet werden, der für die auf dem Typenschild angegebene Gesamtstromaufnahme ausgelegt ist. Achten Sie darauf, den Stecker in eine passende Steckdose zu stecken.
- Schließen Sie das Gerät nur an eine ordnungsgemäß installierte Schutzkontaktsteckdose an.
- Stellen Sie sicher, dass der Netzstecker nach der Montage noch zugänglich ist.
- Ziehen Sie nicht am Netzkabel, wenn Sie das Gerät von der Stromversorgung trennen möchten. Ziehen Sie stets am Netzstecker.
- Es besteht Brandgefahr, wenn das Gerät mit einem Verlängerungskabel, Adapter oder an eine Mehrfachsteckdose angeschlossen wird. Stellen Sie sicher, dass die Erdverbindung den Normen und Vorschriften entspricht.
- Das Netzkabel darf nicht heißer als 90 °C werden.

Um einen Kontakt des Kabels mit dem Gerät unter dem Kochfeld zu vermeiden, verwenden Sie die Haken auf den Seiten des Gehäuses.



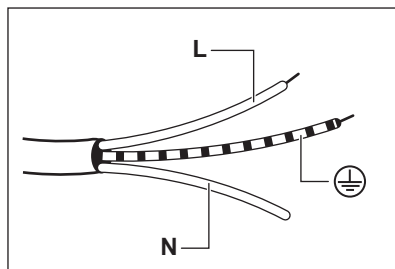
A. Festes Kupferrohr oder flexibles Edelstahlrohr


3.6 Anschlusskabel

Ersetzen Sie das Anschlusskabel ausschließlich durch das spezielle Kabel oder ein gleichwertiges Kabel. Kabeltyp: H03V2V2-F T90.

Vergewissern Sie sich, dass der Kabelquerschnitt für die Spannung und Betriebstemperatur geeignet ist. Der gelb-

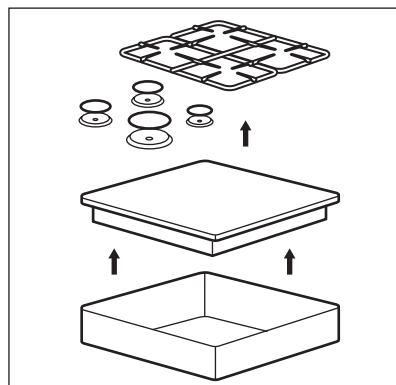
grüne Erdleiter muss ca. 2 cm länger als die braune (bzw. schwarze) Phasenleiter sein.



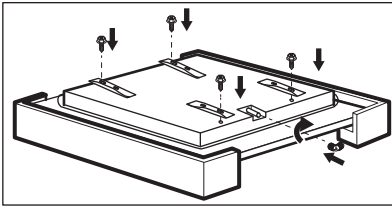
1. Schließen Sie das grün-gelbe Kabel (Erde) an die Klemme an, die mit dem Buchstaben „E“, dem Erdungssymbol  oder mit den Farben grün und gelb gekennzeichnet ist.
2. Schließen Sie das blaue Kabel (Nullleiter) an die Klemme an, die mit dem Buchstaben „N“ oder mit der Farbe blau gekennzeichnet ist.
3. Schließen Sie das braune (stromführende) Kabel an die Klemme an, die mit dem Buchstaben „L“ gekennzeichnet ist. Es muss stets an die Netzphase angeschlossen werden.

3.7 Montage

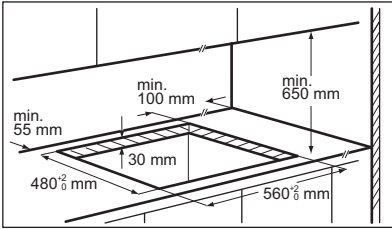
1.



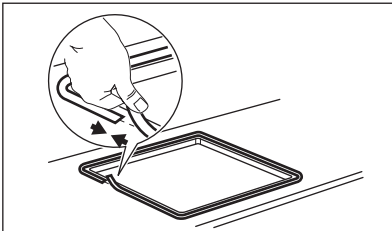
2.



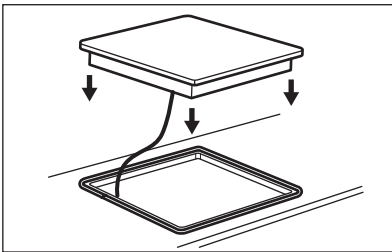
3.



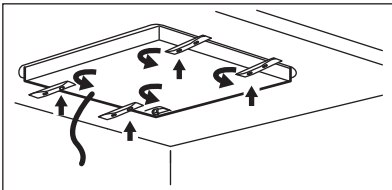
4.



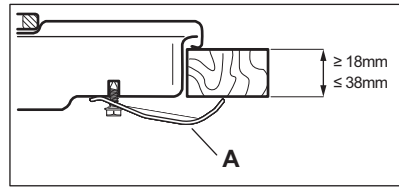
5.



6.

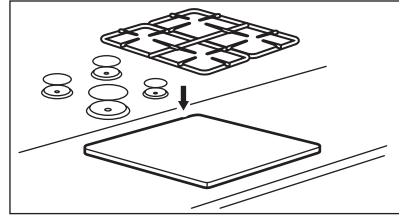


7.



A) Mitgelieferte Klammer

8.



! VORSICHT!

Montieren Sie das Gerät nur in einer flachen Arbeitsplatte.

3.8 Montage des Kochfelds unter der Dunstabzugshaube

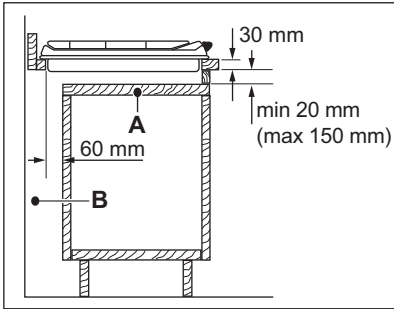


Wird das Kochfeld unter einer Abzugshaube montiert, sehen Sie in der Montageanleitung der Abzugshaube nach, welcher Mindestabstand zwischen den Geräten eingehalten werden muss.

3.9 Einbaumöglichkeiten

Die unter dem Kochfeld eingebaute Platte muss sich leicht entfernen lassen und einen einfachen Zugang ermöglichen, falls eine Reparatur erforderlich wird.

Küchenschrank mit Tür



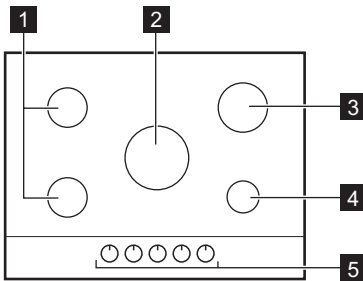
- A. Entfernbare Platte
- B. Raum für Anschlüsse

Küchenschrank mit Backofen

Kochfeld und Backofen müssen aus Sicherheitsgründen über separate elektrische Anschlüsse verfügen. Der Backofen muss sich leicht aus dem Küchenschrank entfernen lassen.

4. GERÄTEBESCHREIBUNG

4.1 Kochfeldanordnung



- 1 Normalbrenner
- 2 Multikronen-Brenner
- 3 Starkbrenner

- 4 Hilfsbrenner
- 5 Einstellknöpfe

4.2 Einstellknopf

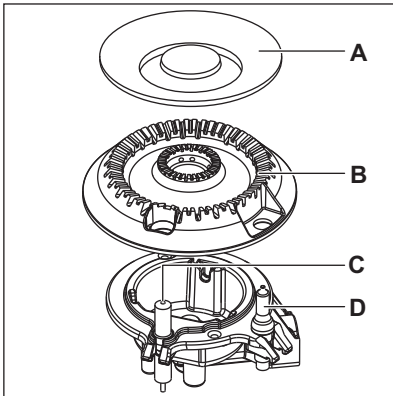
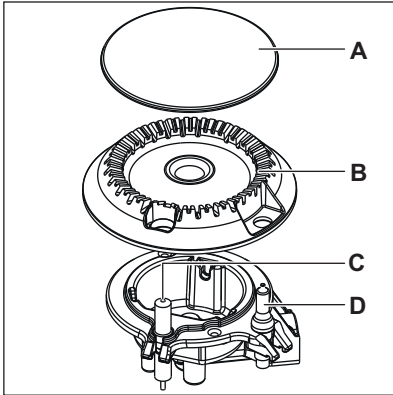
Symbol	Beschreibung
	Keine Gaszufuhr/ausgeschaltet
	Zündstellung/maximale Gaszufuhr
	minimale Gaszufuhr

5. TÄGLICHER GEBRAUCH

WARNUNG!

Siehe Kapitel Sicherheitshinweise.

5.1 Brennerübersicht



- A. Brennerdeckel
- B. Brennerkrone
- C. Zündkerze
- D. Thermoelement

5.2 Zünden des Brenners



Zünden Sie den Brenner stets vor dem Aufsetzen des Kochgeschirrs.

WARNUNG!

Seien Sie bei der Verwendung von offenem Feuer in der Küche besonders vorsichtig. Der Hersteller übernimmt bei Missachtung der Sicherheitsbestimmungen beim Umgang mit offenem Feuer keinerlei Haftung.

1. Drücken Sie den Einstellknopf hinein und drehen Sie ihn gegen den Uhrzeigersinn auf die Position für die maximale Gaszufuhr (A).
2. Halten Sie den Einstellknopf bis zu 10 Sekunden lang gedrückt. In dieser Zeit wird das Thermoelement erwärmt. Andernfalls wird die Gaszufuhr unterbrochen.
3. Stellen Sie die Flamme ein, sobald sie ruhig brennt.



Falls sich der Brenner nach einigen Versuchen nicht zünden lässt, überprüfen Sie, ob die Brennerkrone und der zugehörige Brennerdeckel korrekt sitzen.

WARNUNG!

Halten Sie den Knopf nicht länger als 15 Sekunden gedrückt. Sollte der Brenner nach 15 Sekunden nicht zünden, lassen Sie den Knopf los, und drehen Sie ihn in die Aus-Position. Warten Sie dann mindestens eine Minute, bevor Sie den Brenner erneut zünden.

VORSICHT!

Wenn kein Strom zur Verfügung steht, können Sie den Brenner auch ohne Strom zünden. Bringen Sie eine Flamme in die Nähe des Brenners, drehen Sie den entsprechenden Knopf entgegen dem Uhrzeigersinn auf die höchste Stufe und drücken Sie ihn dann hinein. Halten Sie den Einstellknopf höchstens 10 Sekunden gedrückt, um das Thermoelement zu erwärmen.



Sollte der Brenner zufällig ausgehen, drehen Sie den Knopf in die Aus-Position und versuchen Sie ihn nach einer Minute erneut zu zünden.



Nach dem Einschalten der Stromversorgung, nach der Installation oder nach einem Stromausfall wird der Funkgenerator möglicherweise automatisch eingeschaltet. Das ist normal.



Das Kochfeld wird mit Ventilen mit einem stetigen Stellverhalten geliefert. Sie ermöglichen eine präzisere Einstellung der Flamme.

5.3 Abschalten des Brenners

Drehen Sie zum Abschalten des Brenners den Knopf in die Aus-Position ●.

WARNUNG!

Bevor Sie das Kochgeschirr vom Brenner nehmen, drehen Sie die Flamme herunter oder drehen Sie sie ganz ab.

6. TIPPS UND HINWEISE

WARNUNG!

Siehe Kapitel Sicherheitshinweise.

6.1 Kochgeschirr

VORSICHT!

Verwenden Sie kein Kochgeschirr aus Gusseisen, Ton oder Steingut und keine Grill- oder Sandwichplatten. Edelstahl kann bei zu starker Erhitzung anlaufen.

WARNUNG!

Kochen Sie nicht mit einem Kochgeschirrtteil auf zwei Brennern gleichzeitig.

WARNUNG!

Stellen Sie keine beschädigten Töpfe oder solche, die nicht standfest sind, auf den Brenner, um ein Verschütten und Verletzungen zu vermeiden.

VORSICHT!

Achten Sie darauf, dass sich die Topfböden nicht zu nahe am Einstellknopf befinden, da anderenfalls die Flamme den Einstellknopf erhitzen könnte.

VORSICHT!

Achten Sie darauf, dass die Topfgriffe nicht über den vorderen Rand des Kochfelds hinausragen.

VORSICHT!

Stellen Sie zur Reduzierung des Gasverbrauchs und im Interesse einer größeren Stabilität die Töpfe mittig auf den Brenner.

6.2 Durchmesser des Kochgeschirrs



Verwenden Sie nur Kochgeschirr mit einem Durchmesser, der der Größe der Brenner entspricht.

Brenner	Durchmesser des Kochgeschirrs (mm)
Multikronen-Brenner	180 - 260
Starkbrenner	180 - 260
Normalbrenner	120 - 240
Hilfsbrenner	80 - 180

7. REINIGUNG UND PFLEGE

⚠️ **WARNUNG!**

Siehe Kapitel Sicherheitshinweise.

7.1 Allgemeine Informationen

- Reinigen Sie das Kochfeld nach jedem Gebrauch.
- Verwenden Sie stets Kochgeschirr mit sauberen Böden.
- Kratzer oder dunkle Flecken auf der Oberfläche beeinträchtigen die Funktionsfähigkeit des Kochfelds nicht.
- Verwenden Sie einen Spezialreiniger zur Reinigung der Kochfeldoberfläche.

Edelstahl

- Reinigen Sie Edelstahlteile mit Wasser und wischen Sie sie mit einem weichen Tuch trocken.
- Um eingebrannte Speisereste, Fett und hartnäckige Flecken zu entfernen, weichen Sie diese vor der Reinigung einige Minuten mit etwas mildem Reinigungsmittel ein.
- Verwenden Sie speziell für Edelstahl vorgesehene Reinigungsmittel, um die Stahloberflächen zu schützen.
- Verwenden Sie keine Reinigungsmittel, die ätzende Chemikalien enthalten, wie Chloride, reinigen Sie die Oberfläche nicht mit Desinfektionsmitteln, Fleck- oder Rostentfernern und Tauchreinigern.

7.2 Topfträger



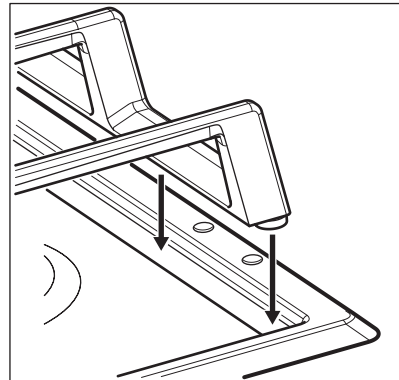
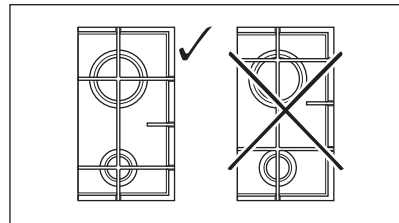
Die Topfträger sind nicht spülmaschinenfest. Sie müssen von Hand gereinigt werden.

1. Entfernen Sie die Topfträger, um die Reinigung des Kochfelds zu erleichtern.



Seien Sie beim Wiederaufsetzen der Topfträger vorsichtig, um Beschädigungen der Oberseite des Kochfelds zu vermeiden.

2. Wenn Sie die Topfträger von Hand spülen und trocknen, seien Sie vorsichtig, da durch das Emaillieren gelegentlich raue Kanten entstehen können. Entfernen Sie hartnäckige Flecken ggf. mit einer Reinigungspaste.
3. Vergewissern Sie sich, dass Sie die Topfträger nach der Reinigung wieder ordnungsgemäß eingesetzt haben.
4. Damit der Brenner korrekt funktioniert, stellen Sie sicher, dass sich die Arme der Topfträger in der Mitte des Brenners befinden.



7.3 Reinigen des Kochfelds

- **Folgendes muss sofort entfernt werden:** Geschmolzener Kunststoff, Plastikfolie, Zucker und zuckerhaltige Lebensmittel. Anderenfalls können die Verschmutzungen das Kochfeld beschädigen. Achten Sie darauf, dass sich niemand Verbrennungen zuzieht.
- **Folgendes kann nach ausreichender Abkühlung des Kochfelds entfernt werden:** Kalk- und Wasserränder, Fettspritzer und metallisch schimmernde

Verfärbungen. Reinigen Sie das Kochfeld mit einem feuchten Tuch und nicht scheuernden Reinigungsmittel. Wischen Sie das Kochfeld nach der Reinigung mit einem weichen Tuch trocken.

- Reinigen Sie die emaillierten Teile, die Brennerdeckel und Brennerkronen mit warmen Seifenwasser und trocknen Sie diese sorgfältig ab, bevor Sie sie wieder einsetzen.

7.4 Reinigen der Zündkerze

Diese Funktion erfolgt über eine Keramikzündkerze mit Metallelektrode.

Halten Sie zur Vermeidung von Zündschwierigkeiten diese Bauteile immer sauber; kontrollieren Sie außerdem, ob die Düsen der Brennerkronen verstopft sind.

7.5 Regelmäßige Wartung

Lassen Sie regelmäßig vom Ihrem autorisierten Kundendienst den Zustand des Gasversorgungsrohrs und, falls installiert, die Funktionstüchtigkeit des Druckreglers überprüfen.

8. FEHLERSUCHE

WARNUNG!

Siehe Kapitel Sicherheitshinweise.

8.1 Was tun, wenn...

Störung	Mögliche Ursache	Abhilfe
Es wird kein Funke erzeugt, wenn Sie versuchen, den Funkenerzeuger zu verwenden.	Das Kochfeld ist nicht oder nicht ordnungsgemäß an die Spannungsversorgung angeschlossen.	Prüfen Sie, ob das Kochfeld ordnungsgemäß an die Spannungsversorgung angeschlossen ist.
	Die Sicherung ist durchgebrannt.	Vergewissern Sie sich, dass die Sicherung der Grund für die Störung ist. Brennt die Sicherung wiederholt durch, wenden Sie sich an eine zugelassene Elektrofachkraft.
Die Flamme erlischt gleich nach der Zündung wieder.	Brennerdeckel und Brennerkronen sitzen nicht richtig.	Bringen Sie die Brennerkronen und den Brennerdeckel in die richtige Position.
	Das Thermoelement ist nicht ausreichend erwärmt.	Halten Sie den Knopf nach dem Entzünden etwa 10 Sekunden lang gedrückt.
Der Flammenring ist ungleichmäßig.	Die Brennerkronen sind mit Speiseresten verstopft.	Sorgen Sie dafür, dass die Düse nicht blockiert und die Brennerkronen sauber sind.

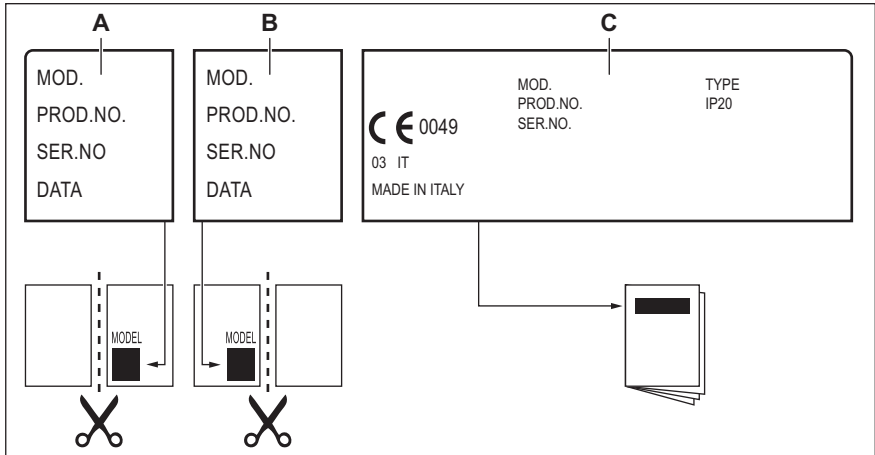
8.2 Wenn Sie das Problem nicht lösen können...

Wenn Sie das Problem nicht selbst lösen können, wenden Sie sich an Ihren Händler oder einen autorisierten Kundendienst. Geben Sie die Daten, die Sie auf dem Typenschild finden, an. Vergewissern Sie

sich, dass Sie das Kochfeld korrekt bedient haben. Wenn Sie das Gerät falsch bedient haben, fällt auch während der Garantiezeit für die Reparatur durch einen Techniker oder Händler eine Gebühr an. Die Informationen zum Kundendienst und die Garantiebedingungen finden Sie im Garantieheft.

8.3 Im Zubehörbeutel mitgelieferte Aufkleber

Bringen Sie die Aufkleber, wie unten gezeigt, an:



- A. Kleben Sie ihn auf die Garantiekarte und verschicken Sie diesen Teil (falls vorhanden).
- B. Kleben Sie ihn auf die Garantiekarte und behalten Sie diesen Teil (falls vorhanden).
- C. Kleben Sie ihn auf die Gebrauchsanleitung.

9. TECHNISCHE DATEN

9.1 Abmessungen des Kochfelds

Breite	744 mm
Tiefe	510 mm

9.2 Bypassdurchmesser

BRENNER	Ø BYPASS 1/100 mm
Multikronen-Brenner	57
Starkbrenner	52
Normalbrenner	35
Hilfsbrenner	28

9.3 Sonstige technische Daten

GESAMTLEISTUNG:	Gas-Original:	G20 (2H) 20 mbar G20Y20 (2HY20) 20 mbar	11,65 kW 11,15 kW
	Gas austausch:	G30 (3+) 28-30 mbar G31 (3+) 37 mbar	825 g/h 811 g/h
Elektrische Versorgung:	220 - 240 V ~ 50 - 60 Hz		
Geräte-kategorie:	II2HY203+		
Gasanschluss:	G 1/2"		
Geräte-kategorie:	3		

9.4 Gasbrenner für ERDGAS G20 20 mbar

BRENNER	NORMALLEISTUNG kW	MINIMALE LEISTUNG kW	INJEKTORMARKE
Multikronen-Brenner	4,0	1,4	146
Starkbrenner	2,95	0,75	119°
Normalbrenner	1,85	0,6	92
Hilfsbrenner	1,0	0,33	70

9.5 Gasbrenner für ERDGAS G20Y20 20 mbar

BRENNER	NORMALLEISTUNG kW	MINIMALE LEISTUNG kW	INJEKTORMARKE
Multikronen-Brenner	3,7	1,4	146
Starkbrenner	2,95	0,75	119°
Normalbrenner	1,75	0,6	92
Hilfsbrenner	1,0	0,33	70

9.6 Gasbrenner für LPG G30/G31 28-30/37 mbar

BRENNER	NORMAL-LEISTUNG kW	MINDEST-LEISTUNG kW	INJEKTOR-MARKE	NENNGASDURCHFLUSS g/h	
				G30 28-30 mbar	G31 37 mbar
Multikronen-Brenner	3,55	1,4	095	258	254
Starkbrenner	2,8	0,95	86	204	200
Normalbrenner	2,0	0,6	71	145	143
Hilfsbrenner	1,0	0,33	50	73	71

10. ENERGIEEFFIZIENZ

10.1 Produktinformationen gemäß EU-Ökodesign-Vorschriften

Modellbezeichnung	KGS7536SX	
Kochfeldtyp	Einbau-Kochfeld	
Anzahl der Gasbrenner	5	
Energieeffizienz pro Gasbrenner (EE gas burner)	Hinten links - Normalbrenner	60,5%
	Hinten rechts – Starkbrenner	57,8%
	Mitte - Multikronen-Brenner	53,0%
	Vorne links - Normalbrenner	60,7%
	Vorne rechts – Hilfsbrenner	nicht zutreffend
Energieeffizienz für das Gaskochfeld (EE gas hob)	58.0%	

EN 30-2-1: Haushaltskochgeräte, die Gas verbrennen - Teil 2-1: Rationaler Energieverbrauch - Allgemein

10.2 Energiesparend


- Vergewissern Sie sich vor Gebrauch, dass die Brenner und Topfträger korrekt montiert sind.
- Verwenden Sie Kochgeschirr mit Durchmessern, die der Größe der Brenner entsprechen.
- Platzieren Sie den Topf mittig auf dem Brenner.
- Wenn Sie Wasser erhitzen, verwenden Sie nur die Menge, die Sie benötigen.


- Legen Sie nach Möglichkeit immer Deckel auf das Kochgeschirr.
- Wenn die Flüssigkeit zu sieden beginnt, drehen Sie die Flamme so weit herunter, dass die Flüssigkeit kaum noch köchelt.
- Wenn möglich, verwenden Sie einen Schnellkochtopf. Beachten Sie die entsprechende Bedienungsanleitung.

10.3 Produktinformationen für Stromverbrauch und maximale Zeit bis zum Erreichen des entsprechenden Energiesparmodus

Energieverbrauch im Aus-Zustand	0.3 W
Maximale Zeit, die das Gerät benötigt, um automatisch den entsprechenden Energiesparmodus zu erreichen	2 Min

11. UMWELTTIPPS

Recyceln Sie Materialien mit dem Symbol . Entsorgen Sie die Verpackung in den entsprechenden Recyclingbehältern. Recyceln Sie zum Umwelt- und

Gesundheitsschutz elektrische und elektronische Geräte. Entsorgen Sie Geräte mit diesem Symbol  nicht mit dem Hausmüll. Bringen Sie das Gerät zu Ihrer

örtlichen Sammelstelle oder wenden Sie sich
an Ihr Gemeindeamt.

Electrolux Appliances AB - Contact Address:
Al. Powstancow Slaskich 26, 30-570 Krakow,
Poland

Le damos la bienvenida a Electrolux. Gracias por elegir nuestro aparato.



Obtener consejos, folletos, soluciones a problemas e información de asistencia y reparación:
www.electrolux.com/support

Salvo modificaciones.

CONTENIDO

1. INFORMACIÓN SOBRE SEGURIDAD.....	57
2. INSTRUCCIONES DE SEGURIDAD.....	59
3. INSTALACIÓN.....	62
4. DESCRIPCIÓN DEL PRODUCTO.....	67
5. USO DIARIO.....	67
6. CONSEJOS.....	68
7. MANTENIMIENTO Y LIMPIEZA.....	69
8. SOLUCIÓN DE PROBLEMAS.....	71
9. DATOS TÉCNICOS.....	72
10. EFICACIA ENERGÉTICA.....	74
11. ASPECTOS MEDIOAMBIENTALES.....	74

1. ⚠ INFORMACIÓN SOBRE SEGURIDAD

Antes de instalar y utilizar el aparato, lea atentamente las instrucciones facilitadas. El fabricante no se hace responsable de lesiones o daños producidos como resultado de una instalación o un uso incorrectos. Conserve siempre estas instrucciones en lugar seguro y accesible para futuras consultas.

1.1 Seguridad de niños y personas vulnerables

- Este aparato puede ser utilizado por niños de 8 años en adelante y personas cuyas capacidades físicas, sensoriales o mentales estén disminuidas o que carezcan de la experiencia y conocimientos suficientes para manejarlo, siempre que cuenten con las instrucciones o la supervisión sobre el uso del electrodoméstico de forma segura y comprendan los riesgos. Es necesario mantener alejados del aparato a los niños de menos de 8 años, así como a las

personas con minusvalías importantes y complejas, salvo que estén bajo supervisión continua.

- Es necesario vigilar a los niños para que no jueguen con el aparato.
- Mantenga todo el material de embalaje fuera del alcance de los niños y deséchelo de forma adecuada.
- ADVERTENCIA: El horno y las piezas accesibles se calientan mucho durante el funcionamiento. Mantenga a los niños y las mascotas alejados del aparato cuando esté en uso y cuando se enfríe.
- Si este aparato tiene un bloqueo de seguridad para niños, debe activarlo.
- La limpieza y mantenimiento de usuario del producto no podrán ser realizados por niños sin supervisión.

1.2 Instrucciones generales de seguridad

- Este aparato está diseñado exclusivamente para cocinar.
- Este aparato está diseñado para uso doméstico en interiores.
- Este aparato se puede utilizar en oficinas, habitaciones de hotel, habitaciones de Bed&Breakfast, casas de campo y otros alojamientos similares donde dicho uso no exceda (en promedio) los niveles de uso doméstico.
- ADVERTENCIA: El horno y las piezas accesibles se calientan mucho durante el funcionamiento. Preste mucha atención para no tocar las resistencias.
- ADVERTENCIA: Cocinar con grasa sin estar presente puede resultar peligroso, ya que podría ocasionarse un incendio.
- No utilizar nunca agua para apagar el fuego de cocción. Apagar el aparato y cubrir las llamas del aparato con una manta ignífuga o una tapa.
- ADVERTENCIA: El aparato no se debe alimentar a través de un dispositivo de conmutación externo, como un temporizador, ni conectarse a un circuito que se encienda y apague regularmente por un servicio público.

- **PRECAUCIÓN:** El proceso de cocción debe ser supervisado. El proceso de cocción breve debe ser supervisado permanentemente.
- **ADVERTENCIA:** Peligro de incendio: No guarde objetos sobre las superficies de cocción.
- No coloque objetos metálicos, como cuchillos, tenedores, cucharas o tapaderas sobre la superficie de la placa, ya que podrían calentarse demasiado.
- No utilice el aparato antes de instalarlo en la estructura empotrada.
- No utilice un limpiador a vapor para limpiar el aparato.
- Si el cable de alimentación está dañado, debe ser reemplazado por el fabricante, un servicio autorizado o personas cualificadas de manera similar para evitar un peligro.
- Donde el aparato esté directamente conectado al suministro eléctrico, se precisa un interruptor aislador omnipolar con abertura entre contactos. La desconexión completa debe cumplir la normativa de las condiciones especificadas en la categoría III de sobretensión. El cable de tierra está excluido de esto.
- Cuando tienda el cable de corriente, asegúrese de que no entra en contacto directo (por ejemplo, mediante un conducto aislante) con piezas que puedan superar la temperatura ambiente en más de 50 °C.
- **ADVERTENCIA:** Utilice exclusivamente protecciones para la placa de cocción diseñadas por el fabricante del aparato o indicadas en sus instrucciones de uso como apropiadas, o bien las protecciones incluidas con el aparato. El uso de protectores inadecuados puede provocar accidentes.

2. INSTRUCCIONES DE SEGURIDAD

Este aparato es adecuado para los siguientes

mercados: IT

2.1 Instalación

ADVERTENCIA!

Solo un técnico cualificado puede instalar el aparato.

ADVERTENCIA!

Podría sufrir lesiones o dañar el aparato.

- Retire todo el embalaje.
- No instale ni utilice un aparato dañado.
- Siga las instrucciones de instalación suministradas con el aparato.
- Respete siempre la distancia mínima entre el aparato y los demás electrodomésticos y mobiliario.
- Tenga cuidado al mover el aparato, porque es pesado. Utilice siempre guantes de protección y calzado cerrado.
- Proteja las superficies cortadas con un material sellante para evitar que la humedad las hinche.
- Proteja la parte inferior del aparato del vapor y la humedad.
- No instale el aparato junto a una puerta ni debajo de una ventana. De esta forma se evita que los utensilios de cocina calientes caigan del aparato cuando la puerta o la ventana estén abiertas.
- Cuando instale el aparato encima de cajones, asegúrese de que hay suficiente espacio entre la parte inferior del aparato y el cajón superior para que circule el aire.
- La base del aparato se puede calentar. Instale un panel de separación incombustible bajo el aparato para evitar acceder a la base.

2.2 Conexión eléctrica

ADVERTENCIA!

Riesgo de incendios y descargas eléctricas.

- Todas las conexiones eléctricas deben ser realizadas por un electricista cualificado.
- El aparato debe conectarse a tierra.
- Antes de efectuar cualquier tipo de operación, compruebe que el aparato esté desenchufado de la corriente eléctrica.
- Asegúrese de que los parámetros de la placa de características son compatibles

con los valores eléctricos del suministro eléctrico.

- Asegúrese de que el aparato está instalado correctamente. Un cable de red o enchufe (en su caso) flojo o inadecuado puede provocar que el terminal se caliente.
- Utilice el cable de alimentación de red correcto.
- No deje que el cable de alimentación eléctrica se enrede.
- Asegúrese de que haya instalada una protección contra descargas eléctricas.
- Utilice la abrazadera de alivio de tensión del cable.
- Asegúrese de que el cable o el enchufe (en su caso) no toquen el aparato caliente ni utensilios de cocina calientes cuando conecte el aparato a una toma.
- No utilice adaptadores de enchufes múltiples ni cables prolongadores.
- Asegúrese de no dañar el enchufe de red (en su caso) ni el cable de red. Póngase en contacto con un electricista o con nuestro servicio técnico autorizado para cambiar un cable de alimentación dañado.
- Los mecanismos de protección contra descargas eléctricas de componentes con corriente y aislados deben fijarse de forma que no puedan aflojarse sin utilizar herramientas.
- Conecte el enchufe a la toma de corriente únicamente cuando haya terminado la instalación. Asegúrese de tener acceso al enchufe del suministro de red una vez finalizada la instalación.
- Si la toma de corriente está floja, no conecte el enchufe.
- No desconecte el aparato tirando del cable de conexión a la red. Tire siempre del enchufe.
- Use únicamente dispositivos de aislamiento apropiados: línea con protección contra los cortocircuitos, fusibles (tipo tornillo que puedan retirarse del soporte), dispositivos de fuga a tierra y contactores.
- La instalación eléctrica debe tener un dispositivo de aislamiento que permita desconectar el aparato de todos los polos de la red. El dispositivo de aislamiento debe tener una apertura de contacto con una anchura mínima de 3 mm.

2.3 Conexión de gas

PRECAUCIÓN!

Cuando utilice una bombona de gas, manténgala siempre sobre una superficie horizontal plana (con la válvula de gas en la parte superior).

- Todas las conexiones de gas tienen que realizarlas personal cualificado.
- Antes de realizar la instalación, asegúrese de que las condiciones de distribución locales (tipo y presión del gas) son compatibles con los requisitos del aparato.
- Compruebe que el aire circula libremente alrededor del aparato.
- La placa de características contiene información sobre el suministro de gas.
- Este aparato no está conectado a un dispositivo que evacua los productos de combustión. Asegúrese de conectar el aparato según la normativa de instalación vigente. Siga los requisitos para una ventilación adecuada.

2.4 Uso

ADVERTENCIA!

Riesgo de lesiones, quemaduras y descargas eléctricas.

PRECAUCIÓN!

El uso de un aparato de cocción a gas produce calor, humedad y productos de combustión en la sala en la que se instala. Asegúrate de que la cocina esté bien ventilada, especialmente cuando el aparato esté en marcha.

El uso intensivo y prolongado del aparato puede requerir ventilación adicional, por ejemplo, aumentando la ventilación mecánica, donde sea posible, o añadiendo ventilación adicional para expulsar al exterior de forma segura los productos de combustión, lo cual permite también renovar el aire ambiental. Consultar a personal cualificado antes de instalar ventilación adicional.

- No cambie las especificaciones de este aparato.

- Retire todo el embalaje, el etiquetado y la película protectora (si procede) antes del primer uso.
- Asegúrese de que las aberturas de ventilación no están bloqueadas.
- No deje el aparato desatendido durante el funcionamiento.
- Apague las zonas de cocción después de cada uso.
- No coloque cubiertos ni tapaderas sobre las zonas de cocción. Pueden calentarse.
- No utilice el aparato con las manos mojadas ni con agua en contacto.
- No utilice el aparato como superficie de trabajo ni para depositar objetos.
- Cuando se coloca comida en aceite caliente, puede saltar.

ADVERTENCIA!

Riesgo de incendio y explosiones

- Las grasas y el aceite pueden liberar vapores inflamables al calentarse. Mantenga cualquier llama u objeto caliente alejado de grasas y aceites cuando los use para cocinar.
- Los vapores que liberan los aceites muy calientes pueden provocar combustiones espontáneas.
- El aceite usado, que puede contener restos de alimentos, puede provocar fuego a menor temperatura que el aceite que se usa por primera vez.
- No coloque productos inflamables o artículos mojados con productos inflamables dentro, cerca o sobre el aparato.

ADVERTENCIA!

Podría dañar el aparato.

- No coloque utensilios de cocina calientes sobre el panel de control.
- No deje que el contenido de los recipientes hierva hasta evaporarse.
- Tenga cuidado de no dejar caer objetos ni utensilios de cocina sobre el aparato. La superficie puede dañarse.
- Nunca deje un quemador encendido con los utensilios de cocina vacíos o sin ellos.
- No coloque papel de aluminio sobre el aparato.

- Utilice solamente utensilios de cocina estables con la forma y diámetro más grandes que los quemadores.
- Asegúrese de que los utensilios de cocina estén colocados en el centro de los quemadores.
- No use utensilios de cocina grandes que sobresalgan por los bordes del aparato. Pueden provocar daños a la superficie de la encimera.
- Asegúrese de que la llama no se apaga cuando gire rápidamente el mando del máximo al mínimo.
- Utilice únicamente los accesorios suministrados con el aparato.
- No instale difusores de llamas en los quemadores.
- No permita que líquidos ácidos, como por ejemplo vinagre, zumo de limón o desincrustantes de cal entren en contacto con la placa. Pueden causar manchas opacas.
- La pérdida de color del esmalte o el acero inoxidable no afecta al rendimiento del aparato.

2.5 Mantenimiento y limpieza

ADVERTENCIA!

No quite los botones, perillas o juntas del panel de control. Puede entrar agua en el interior del aparato y causar daño.

- Limpie periódicamente el aparato para evitar el deterioro del material de la superficie.

- Apague el aparato y déjelo enfriar antes de limpiarlo
- No utilice pulverizadores ni vapor de agua para limpiar el aparato.
- Limpie el aparato con un paño suave humedecido. Utilice solo detergentes neutros. No utilice productos abrasivos, estropajos duros, disolventes ni objetos metálicos.
- No lave los quemadores en el lavavajillas.

2.6 Asistencia técnica

- Para reparar el aparato, póngase en contacto con el centro de servicio autorizado. Utilice solamente piezas de recambio originales.

2.7 Eliminación

ADVERTENCIA!

Existe riesgo de lesiones o asfixia.

- Contacte con las autoridades locales para saber cómo desechar correctamente el aparato.
- Desconecte el aparato de la red.
- Corte el cable eléctrico cerca del aparato y deséchelo.
- Libere el gas de los tubos de gas externos.

3. INSTALACIÓN

ADVERTENCIA!

Consulte los capítulos sobre seguridad.

3.1 Antes de la instalación

Antes de instalar la placa de cocción, anote la información siguiente de la placa de características. La placa de características está situada en la parte inferior de la placa de cocción.

Modelo
PNC

Número de serie

3.2 Conexión de gas

⚠ ADVERTENCIA!

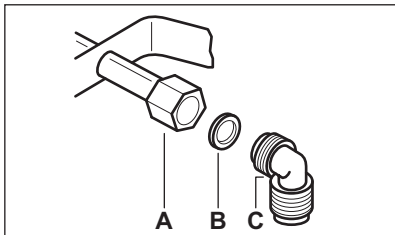
Las siguientes instrucciones de montaje, mantenimiento y ventilación las debe llevar a cabo personal cualificado de acuerdo con las normas en vigor (UNI-CIG 7129 - 7131). Asegúrese de que la cocina esté bien ventilada: mantenga abiertas las salidas de ventilación natural (100 cm² como mínimo) o instale una campana extractora.

Elija conexiones fijas o utilice un tubo flexible de acero inoxidable que cumpla la normativa vigente. Si utiliza tubos metálicos flexibles, tenga cuidado de que no entren en contacto con las partes móviles ni estén retorcidos. Preste también atención cuando la placa se instale junto con un horno.



Asegúrese de que la presión del suministro de gas del aparato cumple los valores recomendados.

Si la presión suministrada no alcanza el valor especificado, es necesario montar un regulador de presión adecuado de conformidad con la norma UNI EN 88. Respecto al gas líquido (GLP), el uso de un regulador de presión únicamente está autorizado si cumple la norma UNI EN 12864. La conexión ajustable se fija a la rampa por medio de una tuerca roscada G 1/2". Atornille las piezas sin fuerza, ajuste la conexión en la dirección adecuada y apriete todo.



- A. Extremo del eje con tuerca
- B. Arandela suministrada con el aparato
- C. Codo suministrado con el aparato

Conexión rígida:

Realice la conexión con tubos de metal rígidos (cobre con extremo mecanizado) (UNI-CIG 7129).

Conexión flexible:

Utilice un tubo flexible de acero inoxidable (UNI-CIG 9891) con una longitud máxima de 2 m.

⚠ ADVERTENCIA!

Cuando la instalación esté terminada, asegúrese de que el sello de cada racor del tubo es correcto. Utilice una solución jabonosa, nunca una llama.

3.3 Sustitución de los inyectores

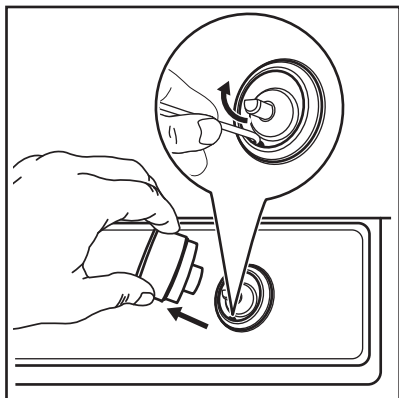
1. Retire los soportes para sartenes.
2. Retire las tapas y las coronas del quemador.
3. Con una llave tubular del 7, desatornille y retire los inyectores y sustitúyalos por los adecuados al tipo de gas que va a utilizar (consulte la tabla del capítulo "Datos técnicos").
4. Vuelva a montar las piezas siguiendo el procedimiento anterior en orden inverso.
5. Sustituya la placa de características (situada cerca del tubo de suministro de gas) por la correspondiente al nuevo tipo de suministro de gas. Encontrará esta placa en el embalaje del aparato.

Si la presión del suministro de gas se puede cambiar o es diferente de la necesaria, debe instalar un regulador de presión adecuado en el tubo del suministro de gas.

3.4 Ajuste del nivel mínimo

Para ajustar el nivel mínimo de los quemadores:

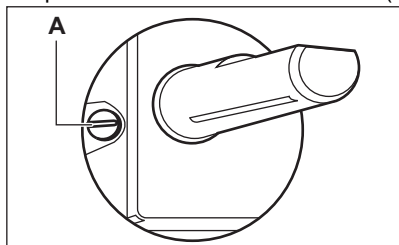
1. Encienda el quemador.
2. Gire el mando hasta la posición mínima.
3. Retire el mando y la junta.



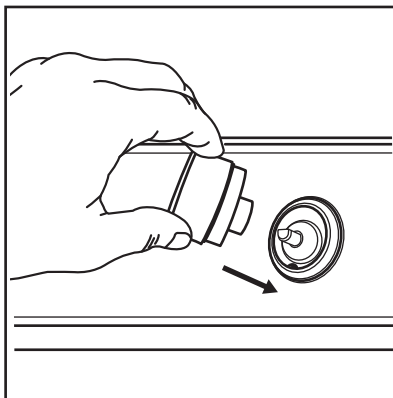
⚠ ADVERTENCIA!

Tenga cuidado de no dañar la junta. No utilice herramientas afiladas para quitar el hielo.

4. Con un destornillador plano, ajuste la posición del tornillo de derivación (A).



5. Si cambia:
- de gas natural G20 20 mbar / G20Y20 20 mbar a gas licuado, apriete a fondo el tornillo de derivación.
 - de gas licuado a gas natural G20 20 mbar / G20Y20 20 mbar, afloje el tornillo de derivación aprox. 1/4 de vuelta (1/2 vuelta para el quemador multicorona).
6. Vuelva a montar la junta y el mando.



⚠ ADVERTENCIA!

Asegúrese de colocar la junta exactamente en la posición original.

⚠ ADVERTENCIA!

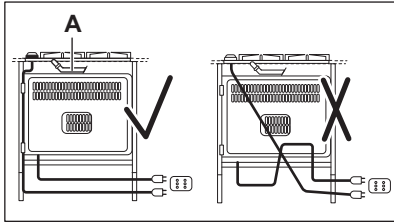
Asegúrese de que la llama no se apaga cuando gire rápidamente la posición máxima a la mínima.

3.5 Conexión eléctrica

- Asegúrese de que el voltaje nominal y el tipo de suministro que indica la placa de datos técnicos coinciden con los del lugar donde se va a instalar el aparato.
- Este aparato se suministra con un cable de alimentación. Debe estar equipado con un enchufe adecuado capaz de soportar la carga indicada en la placa de características. Asegúrese de instalar el enchufe en una toma correcta.
- Utilice siempre una toma con aislamiento de conexión a tierra correctamente instalada.
- Asegúrese de tener acceso al enchufe del suministro de red una vez finalizada la instalación.
- No desconecte el aparato tirando del cable de conexión a la red. Tire siempre del enchufe.
- Hay riesgo de incendio si se conecta el aparato con un cable de prolongación, adaptador o conexión múltiple. Asegúrese de que la conexión a tierra cumple los reglamentos y las normas vigentes.

- No deje que el cable de alimentación se caliente a más de 90° C.

Para evitar el contacto entre el cable y el aparato instalado bajo la placa de cocción, utilice las abrazaderas del lateral del armario.

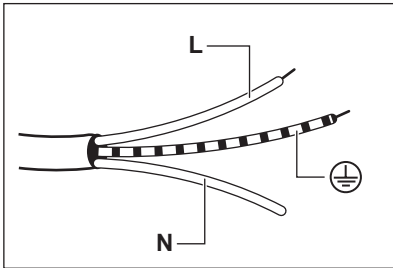


A. Tubo de cobre rígido o tubo flexible de acero inoxidable

3.6 Cable de conexión

Si desea cambiar el cable de conexión, utilice únicamente el cable especial o su equivalente. El tipo de cable es: H03V2V2-F T90.

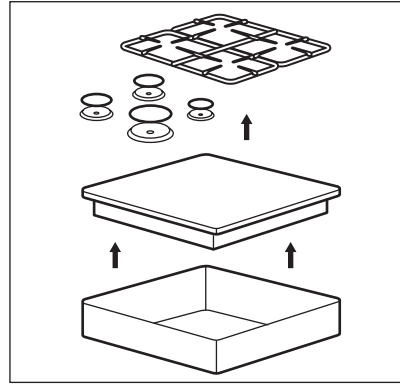
Asegúrese de que la sección de cable sea adecuada para la tensión y la temperatura de funcionamiento. El cable de puesta a tierra de color amarillo/verde debe ser unos 2 cm más largo que el cable de fase marrón (o negro).



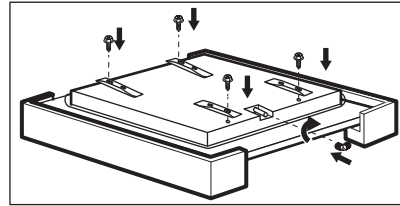
1. Conecte el cable verde y amarillo (tierra) a la borna marcada con la letra 'E' o con el símbolo de tierra \oplus , o de color verde y amarillo.
2. Conecte el cable azul (neutro) a la borna del enchufe marcada con la letra 'N' o de color azul.
3. Conecte el cable marrón (en tensión) a la borna del enchufe marcada con la letra 'L'. Siempre debe estar conectado a la fase de la red.

3.7 Montaje

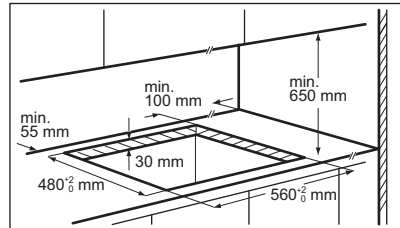
1.



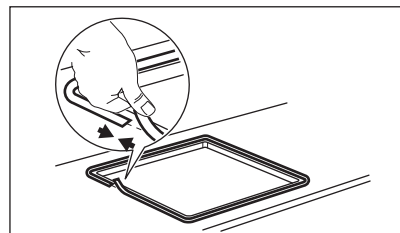
2.



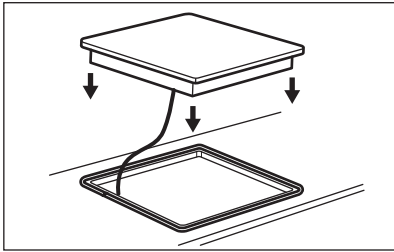
3.



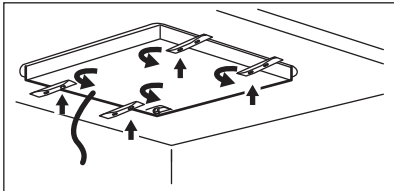
4.



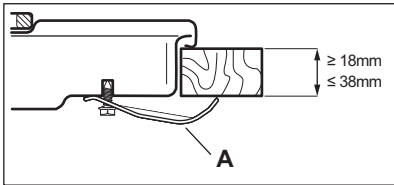
5.



6.

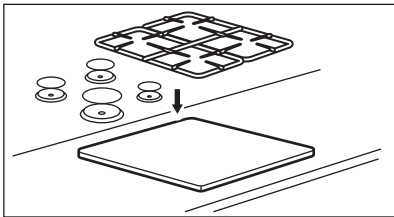


7.



A) abrazadera suministrada

8.



⚠ PRECAUCIÓN!

Coloque el aparato únicamente sobre encimeras de superficie plana.

3.8 Instalación de la placa bajo la campana

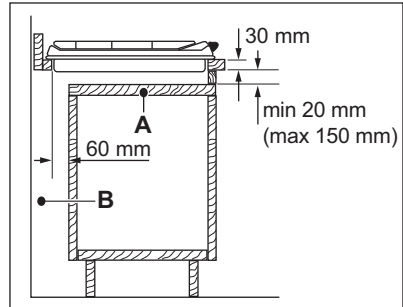


Si instala la placa de cocción debajo de una campana, consulte las instrucciones de instalación de la campana para confirmar la distancia mínima necesaria entre los aparatos.

3.9 Posibilidades de inserción

El panel instalado debajo de la placa debe poder retirarse fácilmente y permitir el acceso en caso de que sea necesario realizar una intervención de asistencia técnica.

Unidad de cocina con puerta



A. Panel extraíble

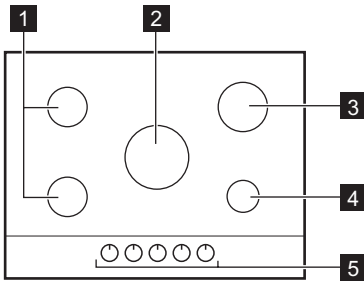
B. Espacio para las conexiones

Unidad de cocina con horno

La conexión eléctrica de la encimera y el horno debe instalarse por separado para garantizar la seguridad y poder retirar fácilmente el horno de la unidad.

4. DESCRIPCIÓN DEL PRODUCTO

4.1 Disposición de las zonas de cocción



- 1 Quemador semi rápido
- 2 Quemador de multi corona
- 3 Quemador rápido

- 4 Quemador auxiliar
- 5 Mandos de control

4.2 Mando de control

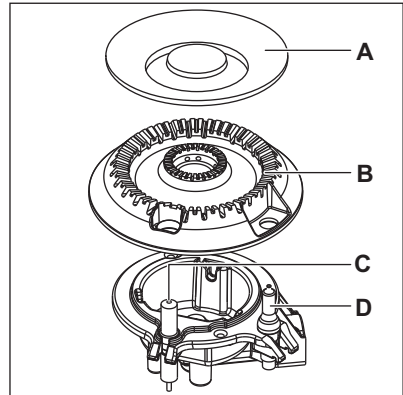
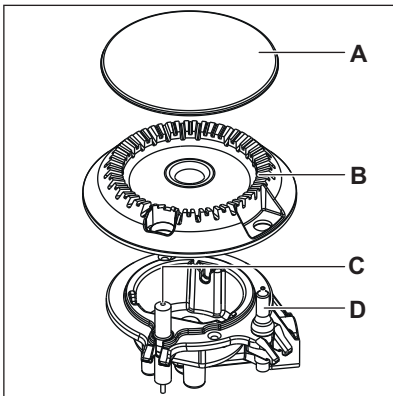
Símbolo	Description
●	Sin suministro de gas / posición de apagado
✱ 	Posición de encendido / suministro de gas máximo
 	suministro mínimo de gas

5. USO DIARIO

⚠ ADVERTENCIA!

Consulte los capítulos sobre seguridad.

5.1 Descripción general del quemador



- A. Tapa del quemador
- B. Corona del quemador
- C. Bujía de encendido
- D. Termopar


5.2 Encendido del quemador



Encienda siempre el quemador antes de colocar los utensilios de cocina.

ADVERTENCIA!

Tenga mucho cuidado cuando utilice el fuego destapado en el entorno de la cocina. El fabricante declina toda responsabilidad en caso de uso indebido de la llama.

1. Presione el mando y gírelo hacia la izquierda hasta la posición máxima de suministro de gas .
2. Mantenga pulsado el mando durante unos 10 segundos como máximo. De esta forma se calienta el termopar. De lo contrario, el suministro de gas se interrumpe.
3. Ajuste la llama después de que se normalice.



Si el quemador no se enciende tras varios intentos, compruebe que la corona y la tapa del quemador están bien colocados.

ADVERTENCIA!

No mantenga pulsado el mando durante más de 15 segundos. Si el quemador no se enciende al cabo de 15 segundos, suelte el mando de control, gírelo hasta la posición de apagado y espere al menos 1 minuto antes de volver a intentar encender el quemador.

PRECAUCIÓN!

Si no hay suministro eléctrico podrá encender el quemador sin necesidad del dispositivo eléctrico; en este caso arrime una llama al quemador, gire el mando de control pertinente hacia la izquierda hasta la posición de máxima salida de gas y empújelo hacia abajo. Manténgalo presionado durante unos 10 segundos como máximo; de esta forma el termopar se calentará.



Si el quemador se apaga accidentalmente, gire el mando de control hasta la posición de apagado y espere al menos 1 minuto antes de volver a intentar encenderlo.



Cuando se enciende la corriente, tras la instalación o después de un corte en el suministro eléctrico, suele ser normal que el generador de las chispas se active automáticamente. Esto es correcto.



La placa se suministra con las válvulas progresivas. Hacen más precisa la regulación de la llama.

5.3 Apagado del quemador

Para apagar la llama, gire el mando hasta la posición de apagado ●.

ADVERTENCIA!

Recuerde que debe bajar o apagar la llama antes de retirar los recipientes del quemador.

6. CONSEJOS

ADVERTENCIA!

Consulte los capítulos sobre seguridad.

6.1 Utensilios de cocina

PRECAUCIÓN!

No utilice sartenes de hierro fundido, fuentes de barro cocido o de cerámica ni placas de grill o de tostadora. El acero inoxidable pierde brillo si se calienta en exceso.

ADVERTENCIA!

No coloque un mismo recipiente en dos quemadores.

ADVERTENCIA!

No coloque recipientes inestables o deformados en los quemadores para evitar salpicaduras y lesiones.

PRECAUCIÓN!

Asegúrese de que las bases de los recipientes no estén demasiado cerca de los mandos de control, de lo contrario la llama calentaría los mandos.

PRECAUCIÓN!

Asegúrese de que las asas de los utensilios no sobresalgan del borde delantero de la placa de cocción.

PRECAUCIÓN!

Asegúrese de que los recipientes estén centrados sobre los quemadores para obtener la máxima estabilidad y reducir el consumo de gas.

6.2 Diámetro de los utensilios de cocina

i

Utilice utensilios de cocina con diámetros adecuados para el tamaño de los quemadores.

Quegador	Diámetro de los recipientes (mm)
Multi corona	180 - 260
Rápido	180 - 260
Semi rápido	120 - 240
Auxiliar	80 - 180

7. MANTENIMIENTO Y LIMPIEZA

ADVERTENCIA!

Consulte los capítulos sobre seguridad.

7.1 Información general

- Limpie la placa después de cada uso.
- Utilice siempre recipientes cuya base esté limpia.
- Los arañazos o las marcas oscuras en la superficie no afectan al funcionamiento normal de la placa.
- Utilice un limpiador especial para la superficie de la placa.

Acero inoxidable

- Lave las partes de acero inoxidable con agua y séquelas a fondo con un paño suave.

- Para eliminar restos de alimentos quemados, grasa y manchas difíciles, déjelos en remojo unos minutos en una pequeña cantidad de detergente suave antes de limpiarlos.
- Utilice productos de limpieza que hayan sido especialmente diseñados para limpiar acero inoxidable con el fin de proteger las superficies de acero.
- No use productos de limpieza que contengan productos químicos corrosivos como el cloruro, ni limpie la superficie con desinfectantes, quitamanchas o desoxidantes y limpiadores de inmersión.

7.2 Soportes para sartenes



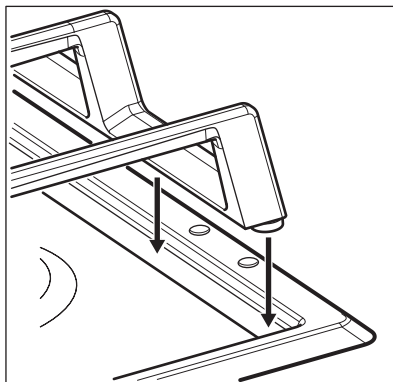
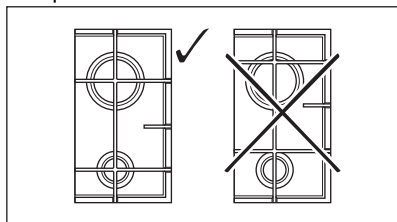
Los soportes para sartenes no son resistentes al lavado en lavavajillas. Deben lavarse a mano.

1. Retire los soportes para sartenes para facilitar la limpieza de la placa de cocción.



Tenga mucho cuidado cuando cambie los soportes para sartenes para evitar dañar la parte superior de la placa de cocción.

2. El revestimiento de esmalte puede tener los bordes rugosos; tenga cuidado al lavar y secar a mano los soportes para sartenes. Si fuera necesario, elimine las manchas difíciles con un limpiador en pasta.
3. Después de limpiar los soportes para sartenes, asegúrese de colocarlos en la posición correcta.
4. A fin de que los quemadores funcionen correctamente, asegúrese de que los brazos de los soportes para sartenes estén alineados con el centro del quemador.



7.3 Limpieza de la placa

- **Elimine de inmediato:** restos fundidos de plástico, recubrimientos de plástico, azúcar y alimentos que contengan azúcar, la suciedad puede dañar la placa. Tenga cuidado para evitar quemaduras.
- **Elimine cuando el aparato se haya enfriado:** restos de cal, marcas de agua, manchas de grasa y decoloraciones metálicas. Limpie la placa de cocción con un paño suave humedecido con agua y detergente no abrasivo. Después de limpiar, seque la placa de cocción con un paño suave.
- Para limpiar las partes esmaltadas, las tapas y las coronas, utilice agua jabonosa templada y séquelas cuidadosamente antes de volver a colocarlas en su sitio.

7.4 Limpieza de la bujía de encendido

Esta función se obtiene a través de una bujía de encendido cerámica con un electrodo metálico. Mantenga siempre limpios estos componentes para evitar problemas de encendido y asegúrese de que los orificios de la corona del quemador no estén obstruidos.

7.5 Mantenimiento periódico

Haga revisar la instalación de gas y el ajustador de presión, si lo hubiera, regularmente y por el Centro de servicio autorizado.

8. SOLUCIÓN DE PROBLEMAS

ADVERTENCIA!

Consulte los capítulos sobre seguridad.

8.1 Qué hacer si...

Problema	Posible causa	Solución
No hay chispa cuando se intenta activar el generador de chispas.	La placa no está conectada a un suministro eléctrico o está mal conectada.	Compruebe si la placa se ha conectado correctamente a la red eléctrica.
	Ha saltado el fusible.	Compruebe si el fusible es la causa del fallo de funcionamiento. Si el fusible se funde repetidamente, consulte a un electricista cualificado.
La llama se apaga justo después de encenderse.	La tapa y la corona del quemador no están bien colocadas.	Coloque correctamente la corona y la tapa del quemador.
	El termopar no está lo suficientemente caliente.	Después de encender la llama, mantenga pulsado el mando durante unos 10 segundos como máximo.
El anillo de llama no es uniforme.	La corona del quemador está bloqueada con restos de comida.	Asegúrese de que el inyector no esté bloqueado y de que la corona del quemador esté limpia.

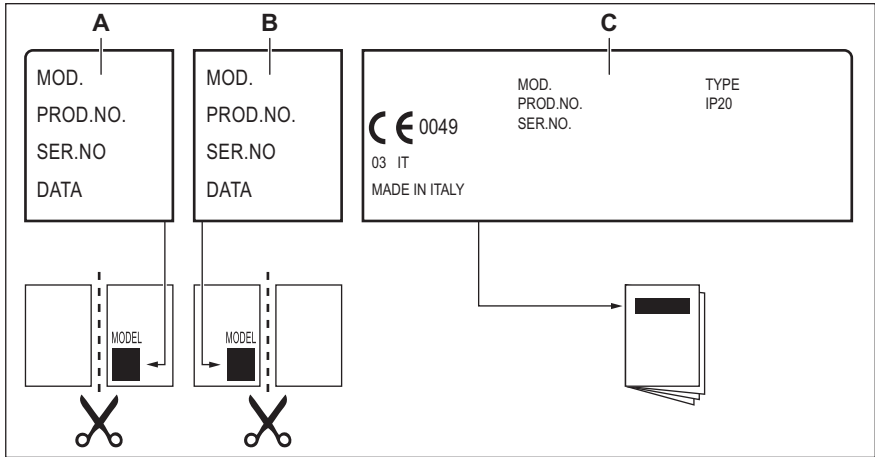
8.2 Si no encuentra una solución...

Si no logra subsanar el problema, póngase en contacto con su distribuidor o el centro de servicio técnico. Facilite la información de la placa de características. Asegúrese de que maneja la placa de cocción adecuadamente. De lo contrario, el personal del servicio técnico o del distribuidor facturará la

reparación efectuada, incluso en el caso de que el aparato se encuentre en periodo de garantía. Las instrucciones sobre servicio técnico y condiciones de garantía se encuentran en el folleto de garantía que se suministra con el aparato.

8.3 Etiquetas incluidas en la bolsa de accesorios

Pegue las etiquetas adhesivas como se muestra a continuación:



- A. Péguela en la etiqueta de garantía y envíe esta parte (en su caso).
- B. Péguela en la etiqueta de garantía y guarde esta parte (en su caso).

- C. Péguela en el manual de instrucciones.

9. DATOS TÉCNICOS

9.1 Dimensiones de la placa de cocción

Ancho	744 mm
Fondo	510 mm

9.2 Diámetros de derivación

QUEMADOR	Ø DERIVACIÓN 1/100 mm
Multi corona	57
Rápido	52
Semi rápido	35
Auxiliar	28

9.3 Otros datos técnicos

ENERGÍA TOTAL:	Gas original:	G20 (2H) 20 mbar G20Y20 (2HY20) 20 mbar	11,65 kW 11,15 kW
	Sustitución de gas:	G30 (3+) 28-30 mbar G31 (3+) 37 mbar	825 g/h 811 g/h
Suministro eléctrico:	220-240 V ~ 50-60 Hz		
Categoría de aparato:	II2HY203+		
Conexión de gas:	G 1/2"		
Clase de aparato:	3		

9.4 Quemadores de gas para GAS NATURAL G20 a 20 mbar

QUEMADOR	POTENCIA NORMAL kW	POTENCIA MÍNIMA kW	MARCA DEL INYECTOR
Multi corona	4,0	1,4	146
Rápido	2,95	0,75	119°
Semi rápido	1,85	0,6	92
Auxiliar	1,0	0,33	70

9.5 Quemadores de gas para GAS NATURAL G20Y20 20 mbar

QUEMADOR	POTENCIA NORMAL kW	POTENCIA MÍNIMA kW	MARCA DEL INYECTOR
Multi corona	3,7	1,4	146
Rápido	2,95	0,75	119°
Semi rápido	1,75	0,6	92
Auxiliar	1,0	0,33	70

9.6 Quemadores de gas para GLP G30/G31 28-30/37 mbar

QUEMADOR	POTENCIA NORMAL kW	POTENCIA MÍNIMA kW	MARCA DEL INYECTOR	CAUDAL DE GAS NOMINAL g/h	
				G30 28-30 mbar	G31 37 mbar
Multi corona	3,55	1,4	095	258	254
Rápido	2,8	0,95	86	204	200
Semi rápido	2,0	0,6	71	145	143
Auxiliar	1,0	0,33	50	73	71

10. EFICACIA ENERGÉTICA

10.1 Información del producto conforme a la normativa de diseño ecológico UE Ecodesign

Identificación del modelo	KGS7536SX	
Tipo de placa	Placa empotrada	
Número de quemadores de gas	5	
Eficiencia energética por quemador de gas (EE gas burner)	Parte trasera izquierda: semi rápido	60.5%
	Parte trasera derecha: rápido	57.8%
	Parte media central: multi corona	53.0%
	Parte delantera izquierda: semi rápido	60.7%
Eficiencia energética de la placa de gas (EE gas hob)	Parte delantera derecha: auxiliar	no corresponde
	58.0%	

EN 30-2-1: Aparatos electrodomésticos de cocción a gas - Parte 2-1: Consumo racional de energía - General


10.2 Ahorro energético


- Antes de usar, asegúrese de que los quemadores y los soportes de las ollas estén ensamblados correctamente.
- Utilice utensilios de cocina con diámetros que correspondan al tamaño de los quemadores.
- Centre la olla sobre el quemador.
- Cuando caliente agua, use solo la cantidad que necesite.
- Si es posible, coloque siempre las tapas en los utensilios de cocina.
- Cuando el líquido comience a hervir, regule la llama para que hierva a fuego lento.
- Si es posible, utilice una olla a presión. Consulte su manual de usuario.

10.3 Información de producto sobre consumo de energía y el tiempo máximo para alcanzar el modo de bajo consumo aplicable

Consumo de energía en modo apagado	0.3 W
Tiempo máximo necesario para que el equipo alcance automáticamente el modo de bajo consumo aplicable	2 min

11. ASPECTOS MEDIOAMBIENTALES

Recicle los materiales con el símbolo . Coloque el material de embalaje en los contenedores adecuados para su reciclaje. Ayude a proteger el medio ambiente y la

salud pública, así como a reciclar residuos de aparatos eléctricos y electrónicos. No deseché los aparatos marcados con el símbolo  junto con los residuos

domésticos. Lleve el producto a su centro de reciclaje local o póngase en contacto con su oficina municipal.

Electrolux Appliances AB - Contact Address:
Al. Powstancow Slaskich 26, 30-570 Krakow,
Poland

electrolux.com

867374557-B-152025



CE